

BUSTER + PUNCH

HARDWARE / THUMB TURN LOCK

TECH SPEC



THUMB TURN LOCK

A thumb turn made from solid metal. A solid knob with diamond-cut knurled detailing, ensuring pleasure with every touch. Works great on all internal doors and can be teamed up with our matching door handles. Available in 3 metal finishes using brushed brass, steel and smoked bronze.

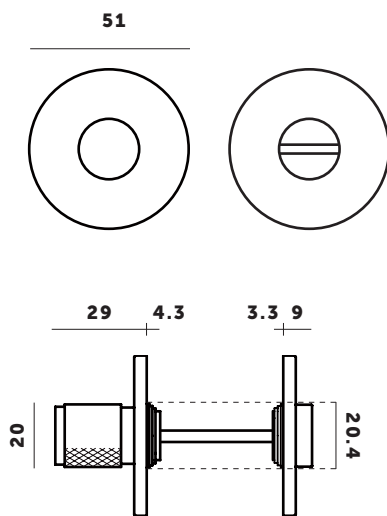
busterandpunch.com
info@busterandpunch.com

BUSTER + PUNCH

HARDWARE / THUMB TURN LOCK

TECH SPEC

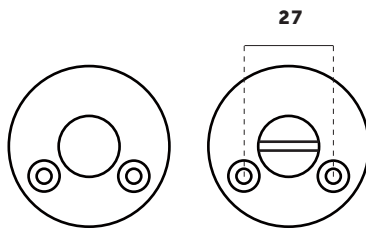
27 / SUITABLE FOR SWE



PRODUCT INFORMATION

- Type:** 27 mm*
- Use:** Interior doors
- Fixings:** Bolt-through fixings included.
- Lock:** Bolt-through**
- Door thickness:** 41 - 54 mm thick.
- Rose:** Pair of concealed fixing roses – slim profile, clip fit.
- Box includes:** 1x Pair of thumb turn locks, 1x square bar & screw fittings.
- Material:** Solid steel, brass or smoked bronze
- Knob width:** 20 mm
- Rose:** 51 x 4 mm
- Projection:** 29 mm
- Square bar size:** 5 x 5 mm

FIXINGS



A cover plate is included to cover the screw holes

FINISH

-  Steel
-  Brass
-  Smoked Bronze

SKU

SW-TT-27-ST-A

SW-TT-27-BR-A

SW-TT-27-SM-A

*This number indicates the cc millimetre measurement for the screw holes that are used to fit the round plate to the door. 38 mm is standard for the UK and some parts of Europe, 30 mm is standard for Sweden and most of Scandinavia.

**Recommended locks & latches from ASSA:
Interior & bathroom doors: **ASSA 2020, 2014**

CARE INSTRUCTIONS

Wipe with damp cloth with no loose hairs, avoid using any chemicals. Please note all finishes are prone to aging.