

# Technical data sheet

Service outlet with hinged cover and locking slider,  
GES R2, old brass  
Item no. 7408852



Hinged cover with locking slider for GES R2 floor socket for direct installation in the MT R2 installation socket for indoor use.  
When closed, the floor socket can be wet-cleaned.

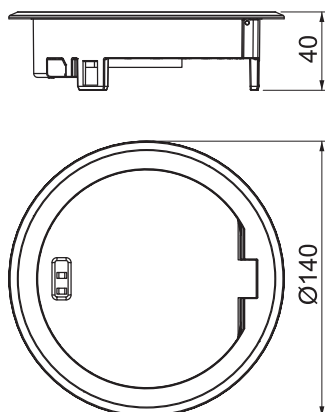


Zn Die-cast zinc  
CuZn Brass-coated

## Master data

Item no.	7408852
Type	GES R2 CuZn
Description 1	Floor socket
Description 2	with hinged cover
Material	Die-cast zinc
Material symbol	Zn
Surface	Brass-coated
Surface symbol	CuZn
Smallest sales unit (VG)	1,00 Piece
Weight	58,50 kg/100 pc.

## Technical data



External diameter	140,00 mm
Cable outlet version	Swivellable cord outlet
Floor covering protection frame	<input checked="" type="checkbox"/>
Floor care	Wet
Version for	Round
Installation depth	85,00 mm
Suitable for wet care	<input checked="" type="checkbox"/>
Suitable for raised floor installation	<input checked="" type="checkbox"/>
Suitable for cavity floor installation	<input checked="" type="checkbox"/>
Suitable for underfloor ducts	<input type="checkbox"/>
With floor covering recess	<input type="checkbox"/>
Standard	EN 50085-2-2
Opening mechanism	Locking slider
Protection rating (IP) when used	IP20

# Technical data sheet

Service outlet with hinged cover and locking slider,  
GES R2, old brass  
Item no. 7408852



## Technical data

Protection rating (IP) when unused	IP66
Protection rating IK code	IK10
Approvals	VDE
Vertical load, large area	6.103.5 (to 15,000 N)
Vertical load, small area	6.102.7 (to 3,000 N)