

# Technical data sheet

## Hinged cover with locking slider

Item no. 7408847



Hinged cover with locking slider for GES R2 floor socket for direct installation in the MT R2 installation socket for indoor use.  
When closed, the floor socket can be wet-cleaned.

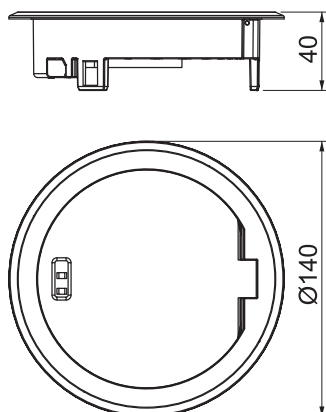


Zn Die-cast zinc  
P Powder-coated

### Master data

|                          |                   |
|--------------------------|-------------------|
| Item no.                 | 7408847           |
| Type                     | GES R2 KP         |
| Description 1            | Floor socket      |
| Description 2            | with hinged cover |
| Dimension                | 140 mm            |
| Colour                   | Graphite black    |
| RAL number               | 9011              |
| Material                 | Die-cast zinc     |
| Material symbol          | Zn                |
| Surface                  | Powder-coated     |
| Surface symbol           | P                 |
| Smallest sales unit (VG) | 1,00 Piece        |
| Weight                   | 58,50 kg/100 pc.  |

### Technical data



|  |                                     |
|--|-------------------------------------|
| External diameter                      | 140,00 mm                           |
| Cable outlet version                   | Swivellable cord outlet             |
| Floor covering protection frame        | <input checked="" type="checkbox"/> |
| Floor care                             | Wet                                 |
| Version for                            | Round                               |
| Installation depth                     | 85,00 mm                            |
| Suitable for wet care                  | <input checked="" type="checkbox"/> |
| Suitable for raised floor installation | <input checked="" type="checkbox"/> |
| Suitable for cavity floor installation | <input checked="" type="checkbox"/> |
| Suitable for underfloor ducts          | <input type="checkbox"/>            |
| With floor covering recess             | <input type="checkbox"/>            |
| Standard                               | EN 50085-2-2                        |
| Opening mechanism                      | Locking slider                      |

# Technical data sheet

## Hinged cover with locking slider

Item no. 7408847



### Technical data

|                                    |                       |
|------------------------------------|-----------------------|
| Protection rating (IP) when used   | IP20                  |
| Protection rating (IP) when unused | IP66                  |
| Protection rating IK code          | IK10                  |
| Approvals                          | VDE                   |
| Vertical load, large area          | 6.103.5 (to 15,000 N) |
| Vertical load, small area          | 6.102.7 (to 3,000 N)  |