

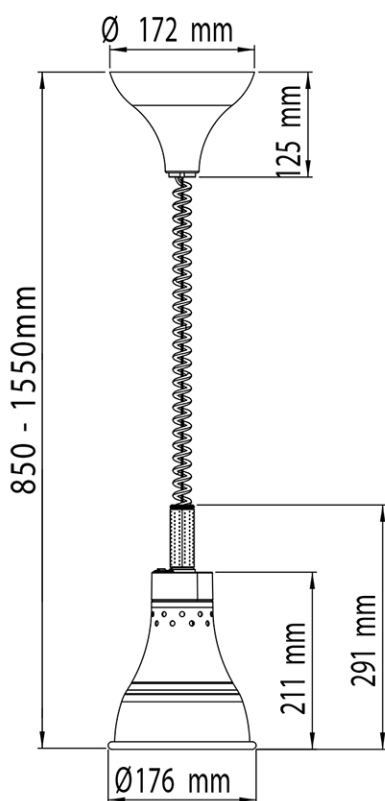


# SOLAR

## HEATING LAMP

### DESCRIPTION

- Power supply : 230 V - 50Hz
- Infrared bulb E27 250W included
- Heating angle : ~70°
- Matte black finishing
- Matte black aluminum reflector that changes to red from 40°C
- Mechanical switch on/off
- Interrupteur mécanique on/off
- Handle to raise and lower the product
- Black spiral power cable 2x1.5mm<sup>2</sup> adjustable on 70cm height



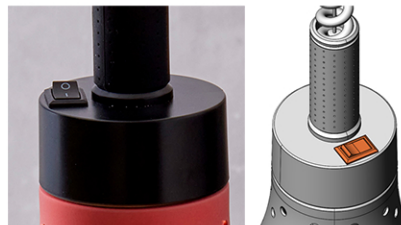
### + HOT TEMPERATURE INDICATOR

Starting from 40°C the reflector progressively becomes red to indicate that the product is hot.



### + MECHANICAL SWITCH

The mechanical switch allows to easily turn on and off the product.



### + HANDLE

The handle allows to manipulate the product without the risk of getting burned.



### + CEILING FIXING

The product is wired then fixed to the ceiling with a hook (not included). Then the top screws to hide the fixing part.

