



## HAILO Libero 3.0

**3697301**

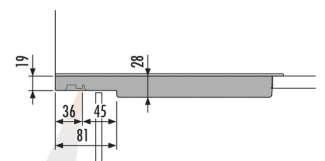
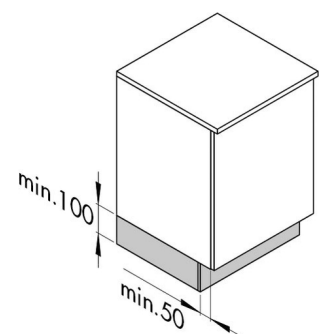
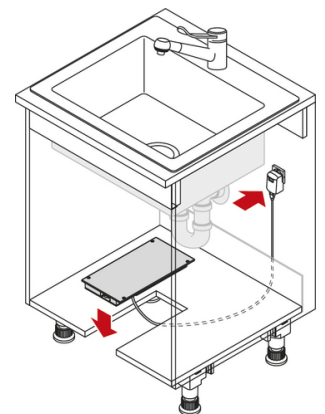
GTIN: 4007126301000

Electronic Door-Opener with voice control

Jetzt mit Sprachsteuerung !  
Now with voice control !

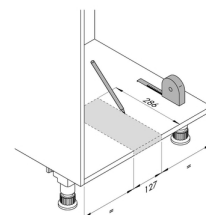


- Hailo's electronic sensor-opener Libero 3.0 for front-mount-doors and drawers offers an automatic, comfortable hands-free opening of all waste-recycling-systems with attached door-panel, and of any common, also damped, drawer-mounted systems. Easy operation by new laser-sensor and / or optionally voice activated.
- For base cabinets from 300mm to 1200mm (12 in. to 48 in.) widths
- No unintended opening
- Mounts in forward section of bottom-panel
- Can also easily be retrofitted
- Low Voltage device, 5 V, 2 A input, comes with USB-C socket
- Power supply by electrical diver for 110 V thru 230 V outlets, with 2m USB-C/ USB cable and international adapters
- Easy operation by new Laser-Sensor and / or optional voice activation
- Integrated location LED lighting, may be dimmed and switched off
- Push-out force adjustable, detection-range adjustable
- Optional settings and Fine Tuning Adjustments via Web Browser
- Intelligent controls, identifies obstacles thanks to friction clutch
- Protected against dripping water according to IP 21 certification





- Comes with European, British, Australian and North American Certifications
- Optional opening via "Alexa" smart speaker
- designed for 2.4 GHz
  
- Developed and Made in Germany
- Dimensions: 157mm x 300mm x 33mm (WxDxH)  
6-1/8 in. x 11-3/4 in. x 1-1/4 in.
  
- WEEE-Reg. No.: DE 60802808



## Specifications

Product dimensions (WxDxH) (mm)	157 x 300 x 33 (6 - 1/8 inch x 11 - 3/4 inch x 1 - 1/4 inch)
Packing dimensions (WxDxH) (mm)	325 x 235 x 55