



MINI BORN

COMPACT SOCKET BLOCK

DESCRIPTION

- Power : 230 V
- 16A socket on front face
- USB A + USB C module on front face
- USB A 18W Max, USB C 20W max
- USB A + USB C 15W max in simultaneous use
- Finishing: Brushed chrome, matte black or white
- Power cable: 2m with separate plug
- It is possible to change the power cable
- Horizontal or vertical installation possible

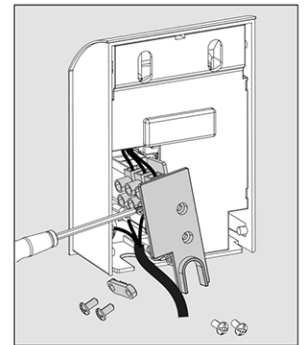
+ SOCKETS

A 16A socket with a USB A and a USB C to plug in all kinds of electrical appliances or to charge electronic devices.



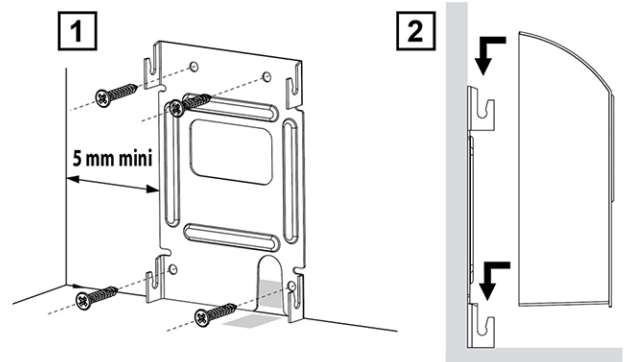
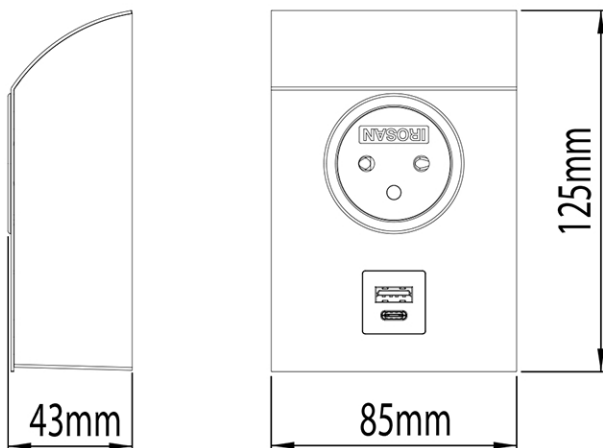
+ POSSIBLE CABLE CHANGE

Designed to easily change the power cable if the length is not long enough.



+ INSTALLATION

To install on a kitchen splashback, on, in or under a piece of furniture
Invisible installation by screwing the metal fixing plate.



+ DESIGN

A compact socket case to install on a surface in matte black, matte white or brushed chrome finishing on the front metal face.