

**A9529**  
Evolution

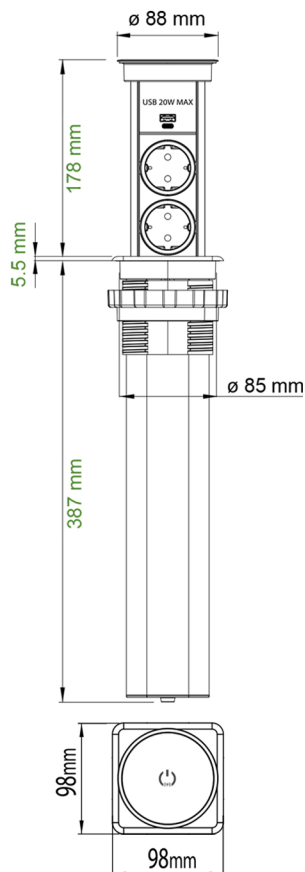


**AUTO**  
**MATICK**

RETRACTABLE ELECTRIC SOCKET

### DESCRIPTION **NEW**

- Power : 230 V
- 2 German sockets 16 A
- 1 USB-A + 1 USB-C
- USB power :
  - USB-A : 18W max
  - USB-C : 20W max
  - USB-A+USB-C : 15W max
- Induction charger power of 15W
- Motorized opening/closing by pushing switch
- IP44 when product is closed
- Anti pinching system
- Top cover and ring in metal in black matte
- Top central piece in black tempered glass
- Aluminum profile structure
- Power cable :  
3 x 1,5mm<sup>2</sup> de 2m length



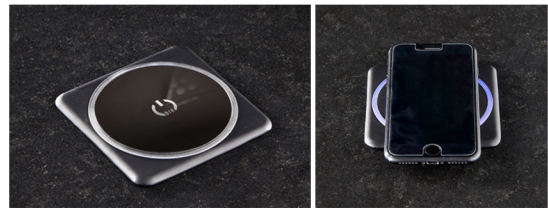
### **NEW** + POWER SOCKETS

Two German sockets + **1 USB-A + 1 USB-C** to plug electrical appliances or to charge electronic products.

### **NEW** + INDUCTION

**15W** induction charger on top compatible devices like mobile phones.

A blue LED light indicates the function, and flashes if there is an error.



### **+** IP44

The product is IP44 when closed thanks to rubber seals.

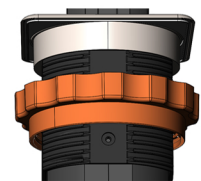


### **+** ANTI-PINCHING

The motorized mechanism has a protection that avoids getting any fingers pinched when closing the product.

### **+** INSTALLATION

Simple fixing by screw in a Ø85mm hole.



### **+** **NEW** DESIGN

Even more simple design with **tempered glass** on top to make it easier to clean.

10.07.2024