

PuK Combi HDMI

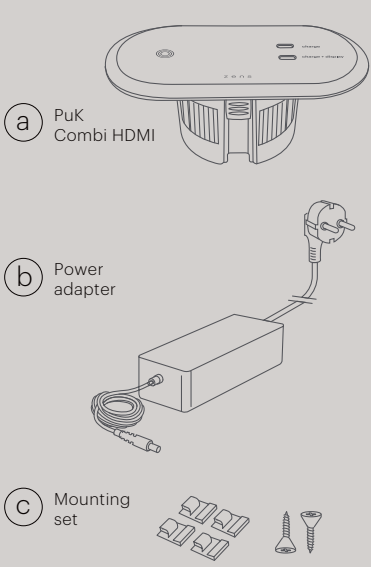
Installation guide

www.zens.tech
 All rights reserved. Zens is a trademark of Zens B.V.
 Designed in the Netherlands. Assembled in China.
 Zens B.V., High Tech Campus 85, 5656 AG Eindhoven, NL

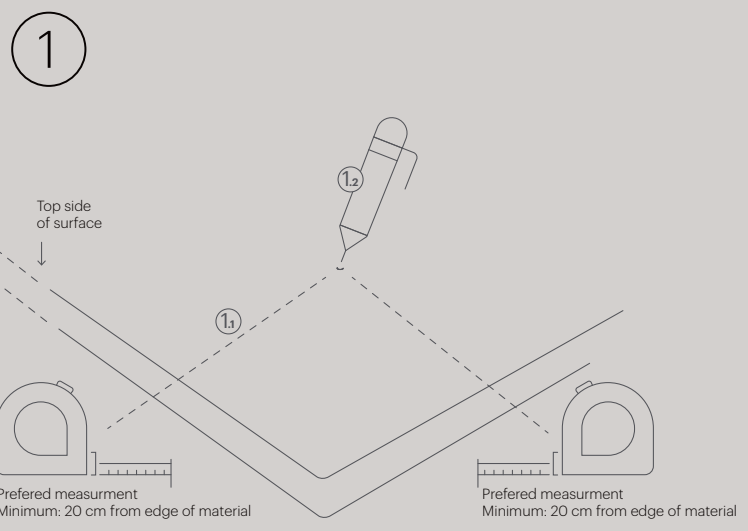
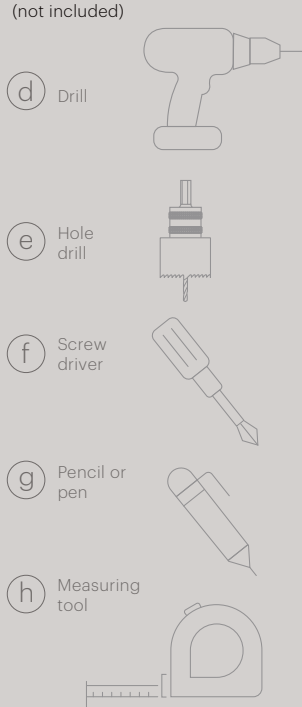


PuK Combi HDMI installation

Included items

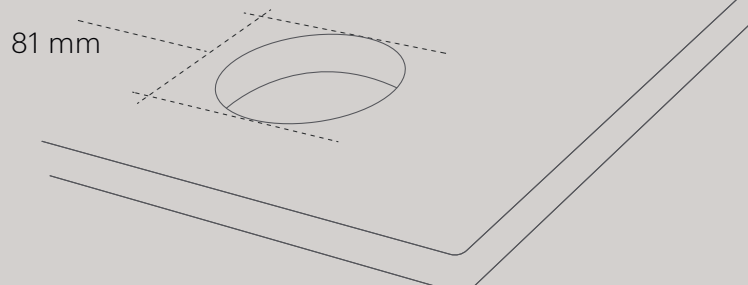


Required tools (not included)



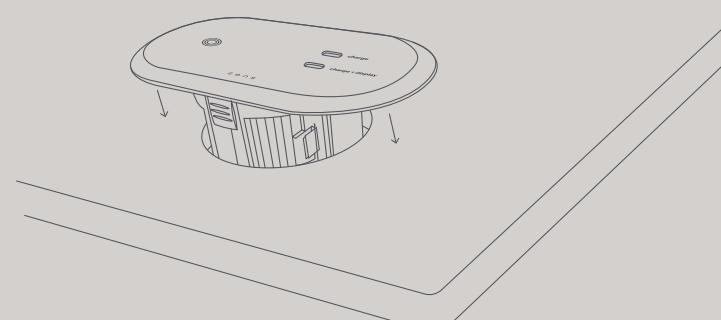
1.1 Measure a distance with a minimum of 20 cm from the edge of the material
 1.2 Draw a little dot to indicate the drilling position

2



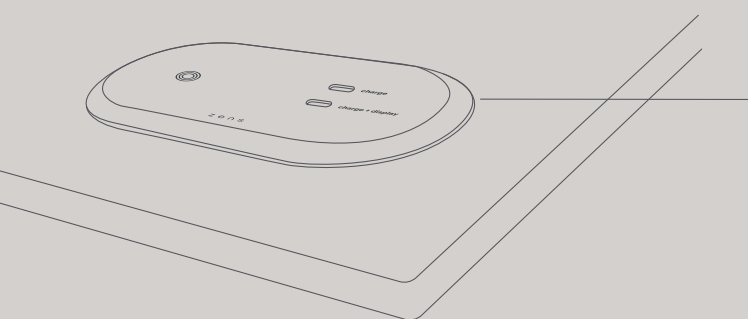
Drill a hole with a diameter of 81 mm in the surface at the position where the PuK Combi HDMI should be placed.
 Preferably use a 81 mm hole drill.

3



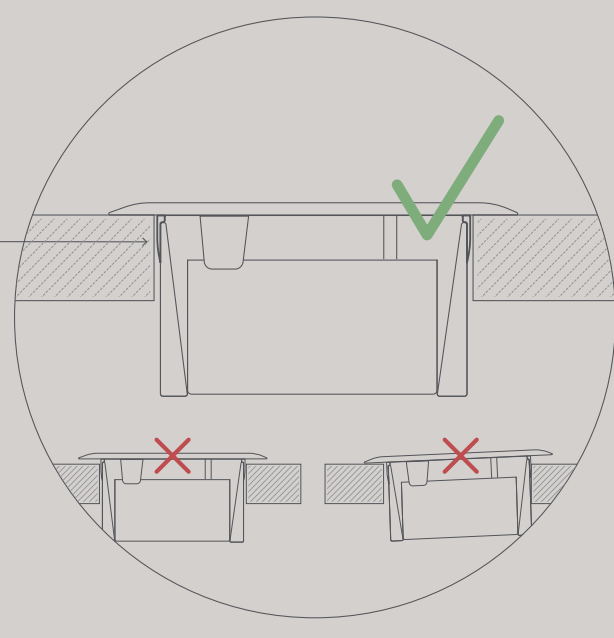
Insert the PuK Combi HDMI in the opening from above.

4

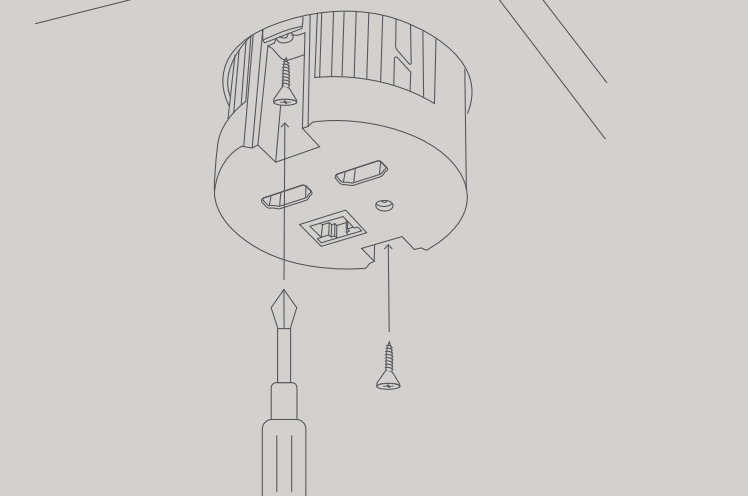


Be sure that there is no space between the topplate of the PuK Combi HDMI and the built-in surface.

5

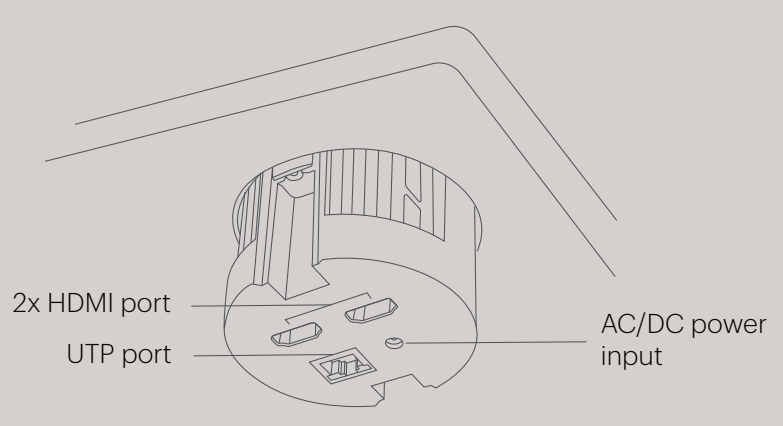


6

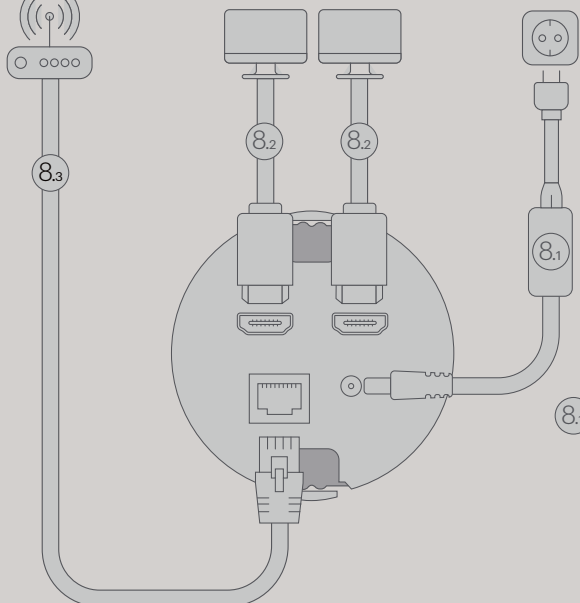


Use the two screws to fasten the PuK Combi HDMI in the opening.

7

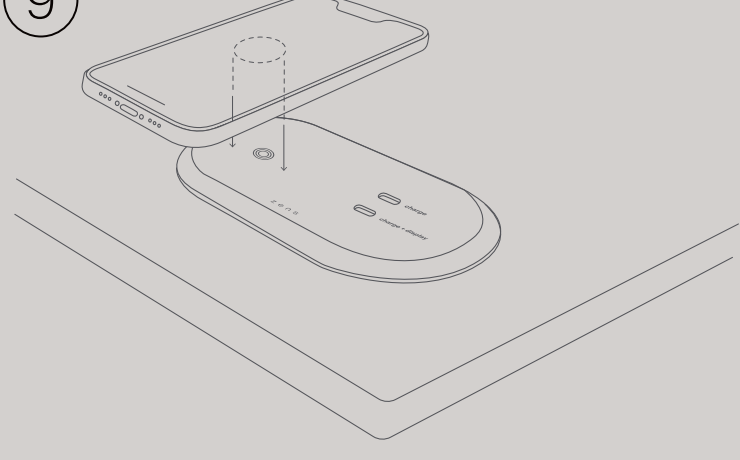


8



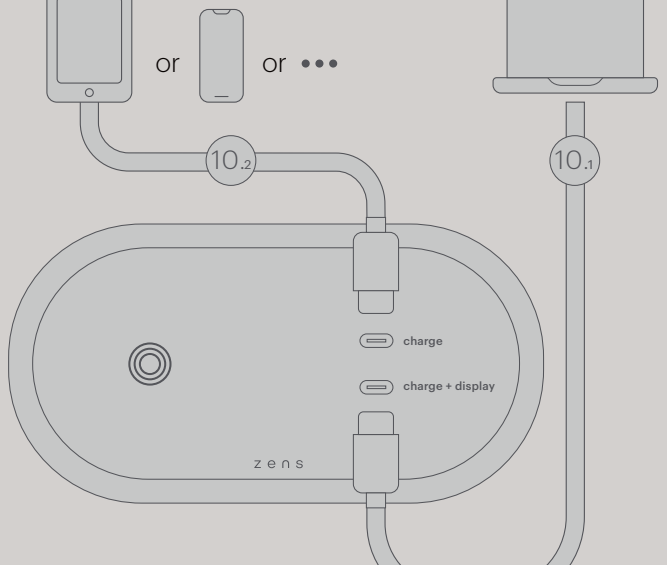
- 8.1) Insert the power supply into the PuK Combi HDMI and the power plug into the nearest power socket.
- 8.2) Connect one or two monitors via the integrated HDMI ports. (HDMI cable not included)
- 8.3) Use a UPT cable (not included) to connect to a stable internet connection.

9



To start charging, place the Qi enabled device centrally on the charging spot.

10



- 10.1) Connect USB-C power delivery cable* (not included) to charge + dsplay port and your laptop to charge, share your screen and connect to internet. Set up your preferred screen settings on your laptop.
- 10.2) Use the charge port to charge a third device via a USB-C power cable.

* Minimum cabel requirement: USB-C 3.2 gen 2, 10Gbit/s, 4K (max resolution 3840 x 2160 pixels), 60W (100W recommended)

