

PuK Combi 2x USB-C

Installation guide

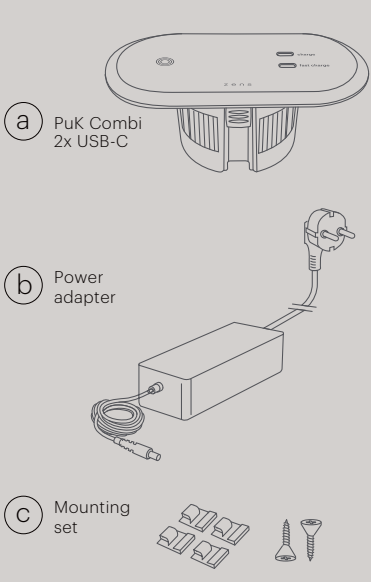


www.zens.tech

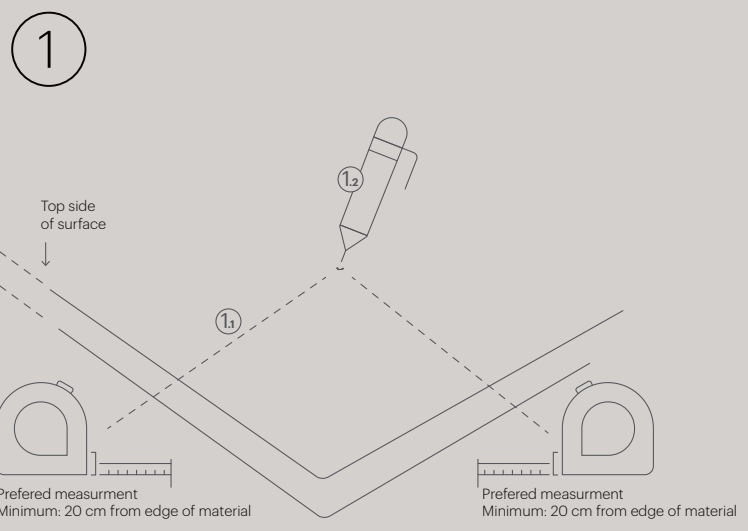
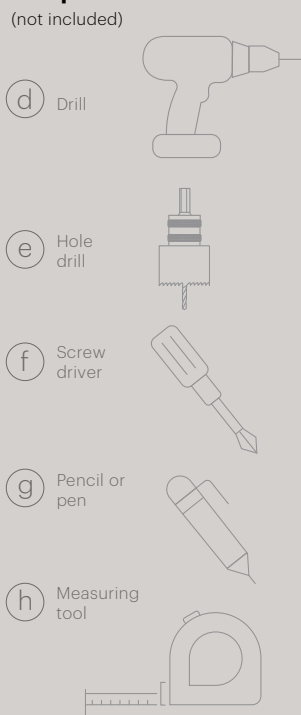
All rights reserved. Zens is a trademark of Zens B.V.
Designed in the Netherlands. Assembled in China.
Zens B.V., High Tech Campus 85, 5656 AG Eindhoven, NL

PuK Combi 2x USB-C installation

Included items

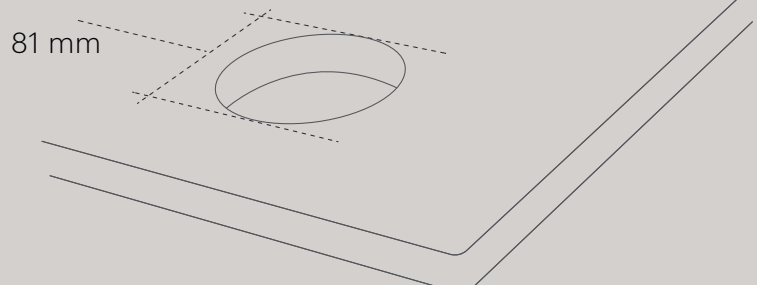


Required tools (not included)



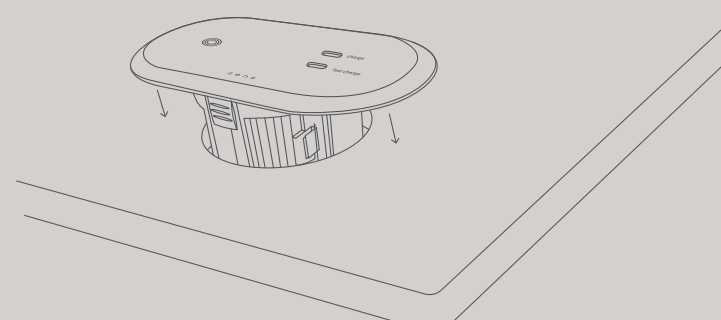
1.1 Measure a distance with a minimum of 20 cm from the edge of the material
1.2 Draw a little dot to indicate the drilling position

2



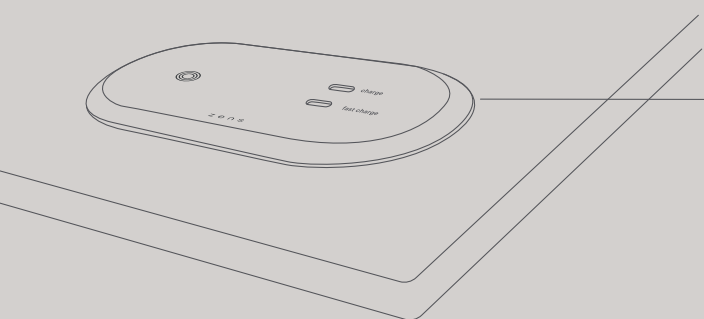
Drill a hole with a diameter of 81 mm in the surface at the position where the PuK Combi 2x USB-C should be placed.
Preferably use a 81 mm hole drill.

3



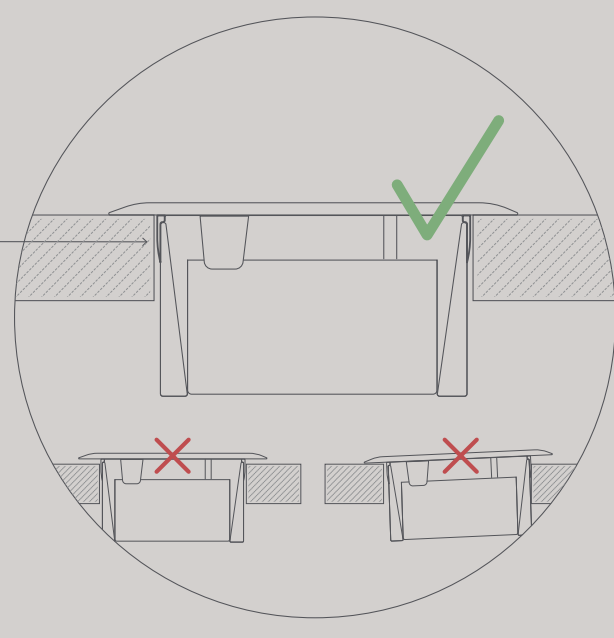
Insert the PuK Combi 2x USB-C in the opening from above.

4

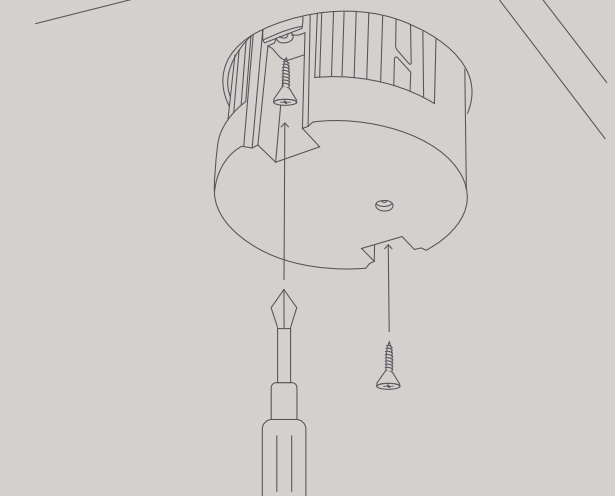


Be sure that there is no space between the topplate of the PuK Combi 2x USB-C and the built-in surface.

5

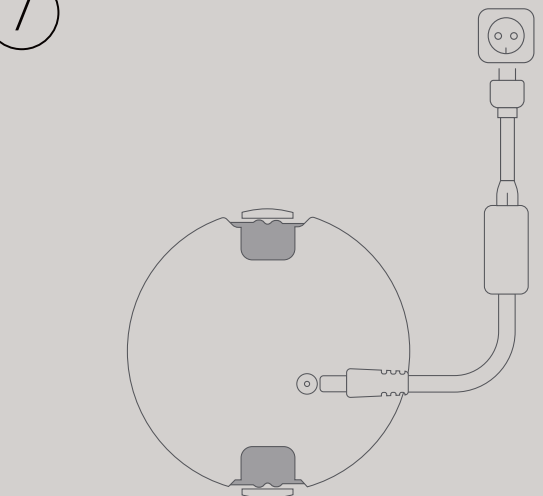


6



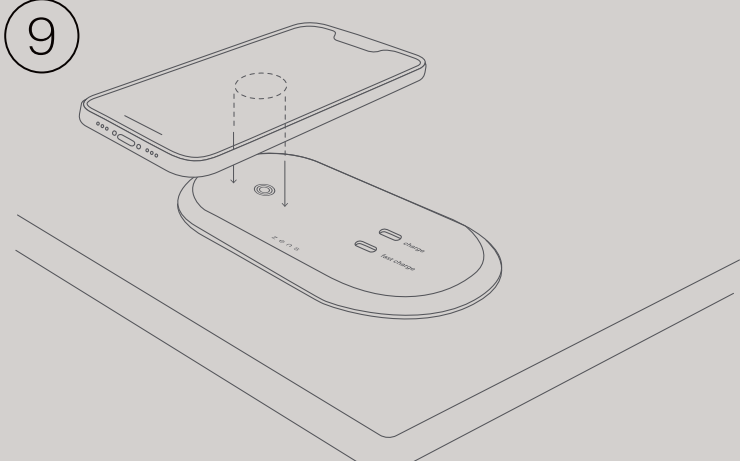
Use the two screws to fasten the PuK Combi 2x USB-C in the opening.

7



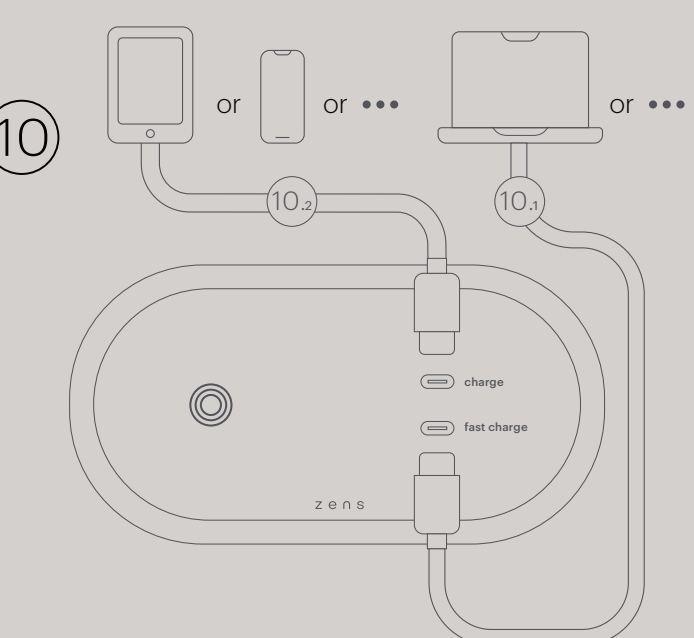
Insert the power supply into the PuK Combi 2x USB-C and the power plug into the nearest power socket.

9



To start charging, place the Qi enabled device centrally on the charging spot.

10



10.1) Connect USB-C cable* (not included) to the fast charge port and charge your laptop or other device.
10.2) Use the USB-C port to charge a third device via a second USB-C power cable.

