

2025



Designed and assembled
in Canada

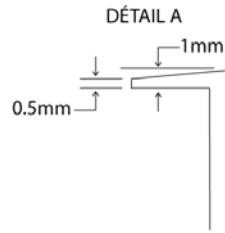
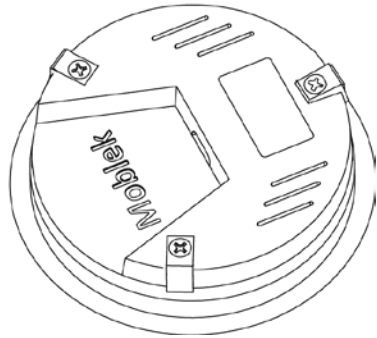
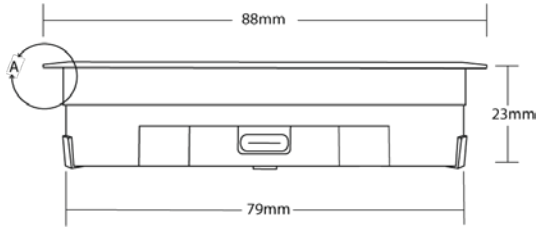
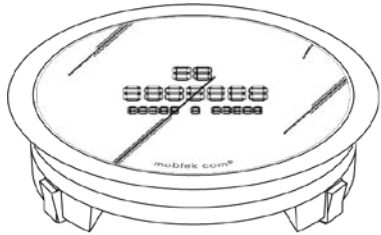


Moblek

Technical specifications

Installation guide

Technical specifications



Moblek wireless charger system:

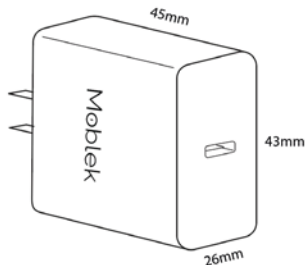
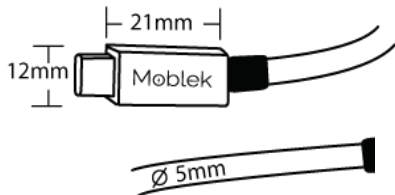
- Dimensions: 25mm x 79mm
- Materials: plastic / stainless steel / electronic / glass surface 9H / magnet
- Input: 12V / 1.67A (PD)
- Output: 15W / 10W / 7.5W / 5W
- Frequency: 110-148 KHZ
- Operating temperature: 0C - 40C
- Short Circuit Protection
- Overcurrent Protection
- Fast charge EPP 15W
- Standby mode when no phone
- Intelligent identification system while its transmitter and receiver unit adopts UART
- Interchangeable, customizable surface ©
- Certifications: FCC - CE - Qi - RoHS

Certifications, tests & reports:

- * Documents available upon request
- ** Country specific specifications available.

Spécifications technique

Dimension des accessoires Moblek:



Certifications, tests & reports:

- * Documents available upon request
- ** Country specific specifications available.

Moblek Cable:

- Super High Speed USB-C to USB-C (2.0 - 60W)
- Dimensions: standard 2m length x 5mm DIA)
(optional length 1m - 3m)
- Material: PVC - Nickel plated connector
- Colour: Black
- Certifications: FCC - CE - RoHS

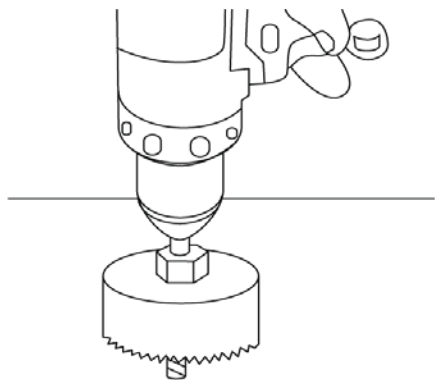
Moblek wall charger:

- Input: 100V • 240V
- Output: 20W 5V-3A or 9V-2.2A or 12V-1.67A
- Certifications: FCC - CE - Intertek(ETL) - UKCA - RoHS

Installation

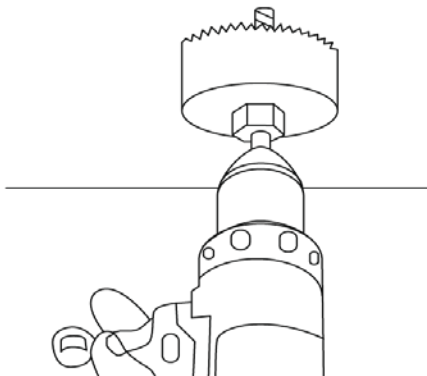
1

Drill a hole with a **3 1/8" DIA.** hole saw on the top of the surface. (**80mm DIA**)



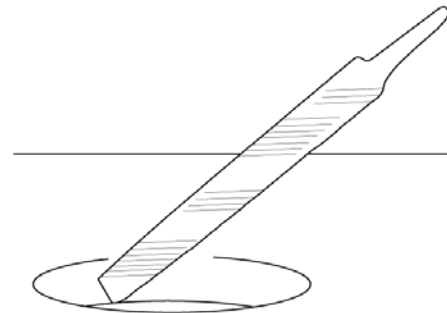
2

Drill the hole all the way through the surface to allow air to circulate under the charger and prevent overheating. If necessary, complete the drilling from beneath the surface.



3

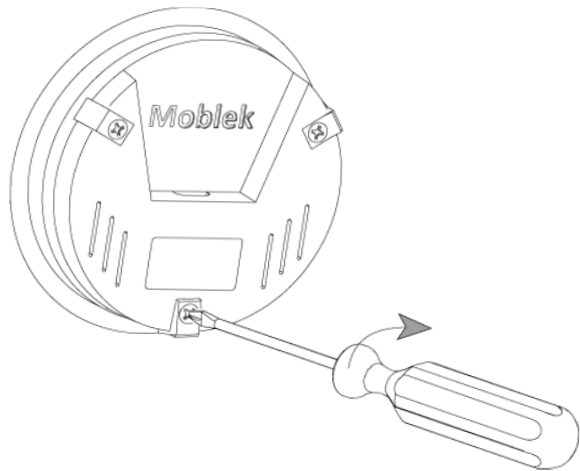
It is crucial to carefully file the edges of the hole to remove imperfections and ensure that the stainless steel ring is properly seated.



Installation

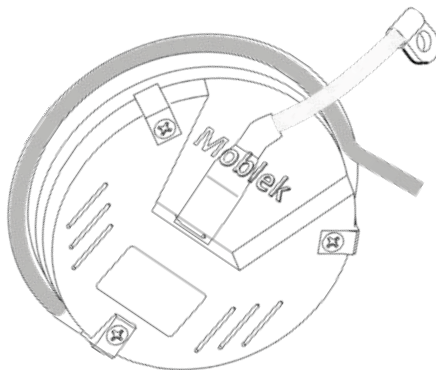
4

Make sure that the three screws underneath the charger are almost fully screwed in, leaving a half-turn loose.



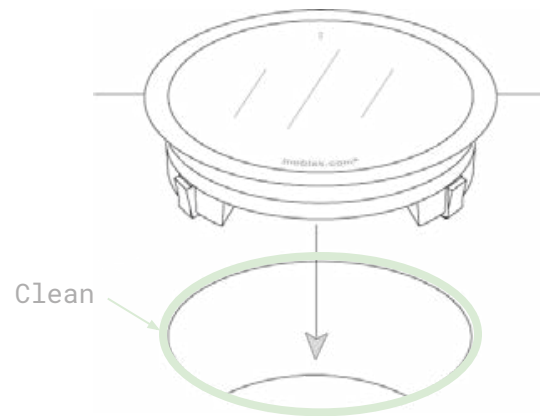
5

Insert the USB wire into the charger and ensure that you peel off the double-sided tape beneath the ring (transparent tape to prevent liquid infiltration).



6

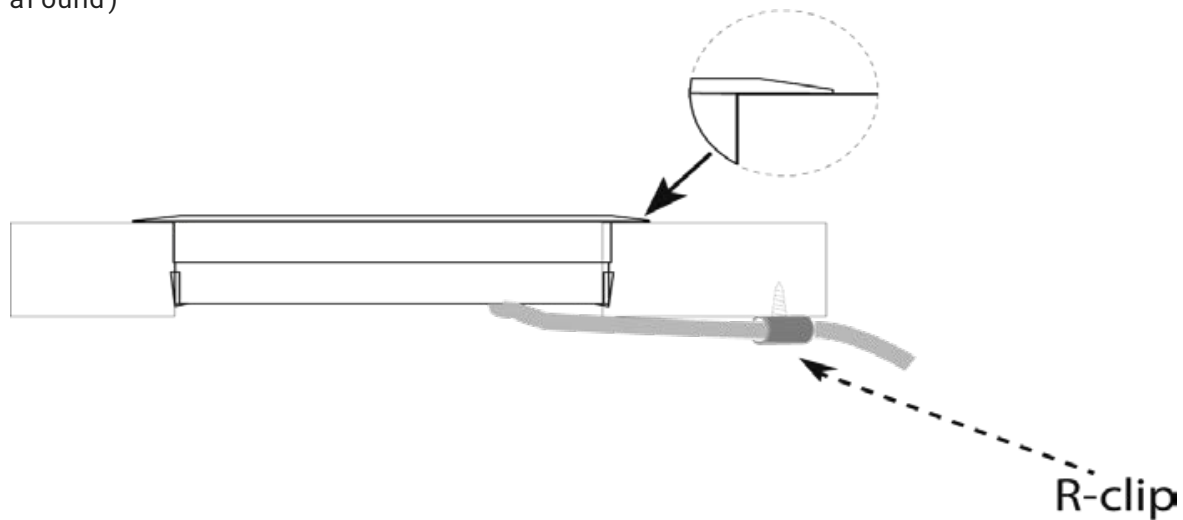
Align and insert the charger into the surface hole, applying a uniform pressure until it is fully seated on the edge.



Installation

7

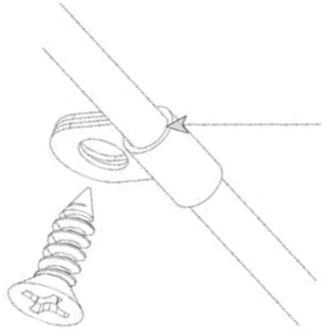
Make sure that the charger lip is perfectly sit. (all around)



Installation

8

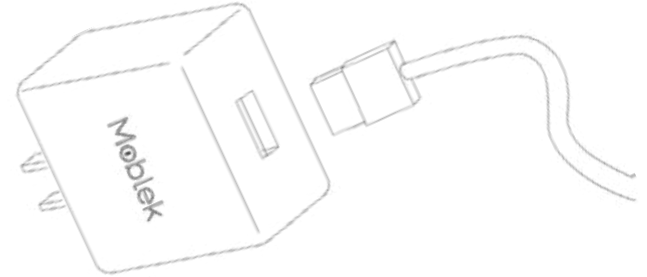
Secure the wire under the surface using plastic R-clip and screws. It is important to secure the wire close to the connection to prevent it from unplugging once installed.



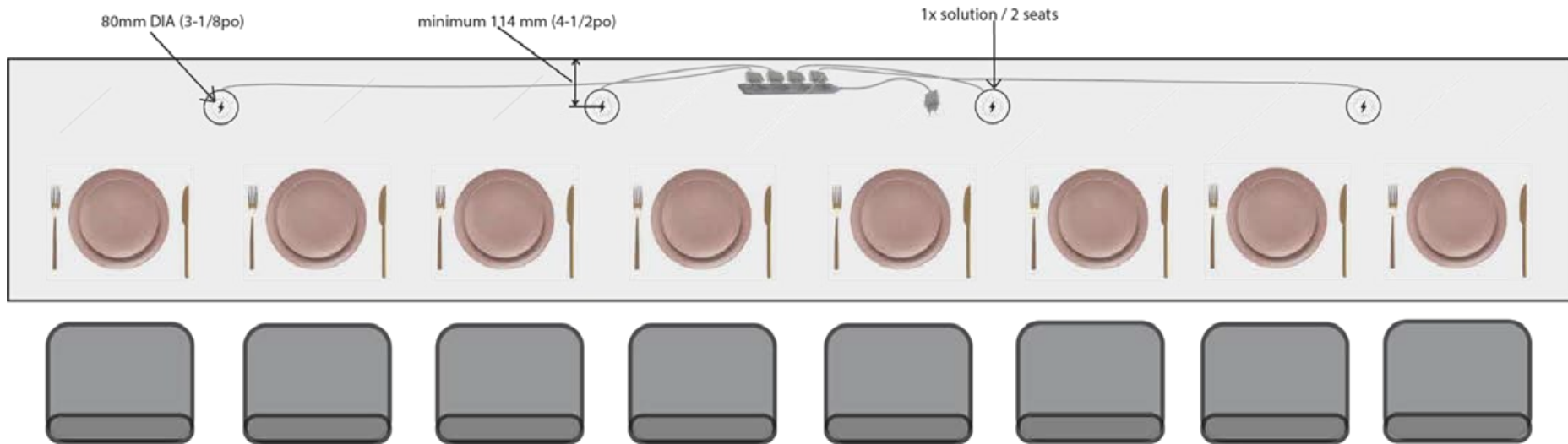
The wire must be in the «O» so that it is not crushed.

9

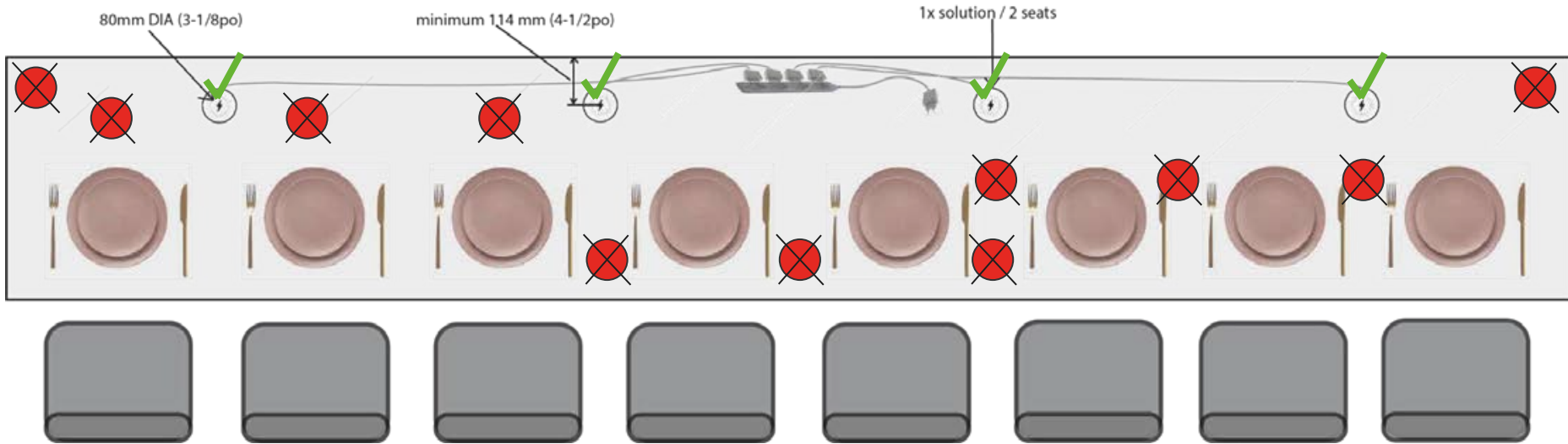
Insert the other end of the USB cable into the wall charger (the wall charger should be hidden from the customer to prevent tampering or theft).



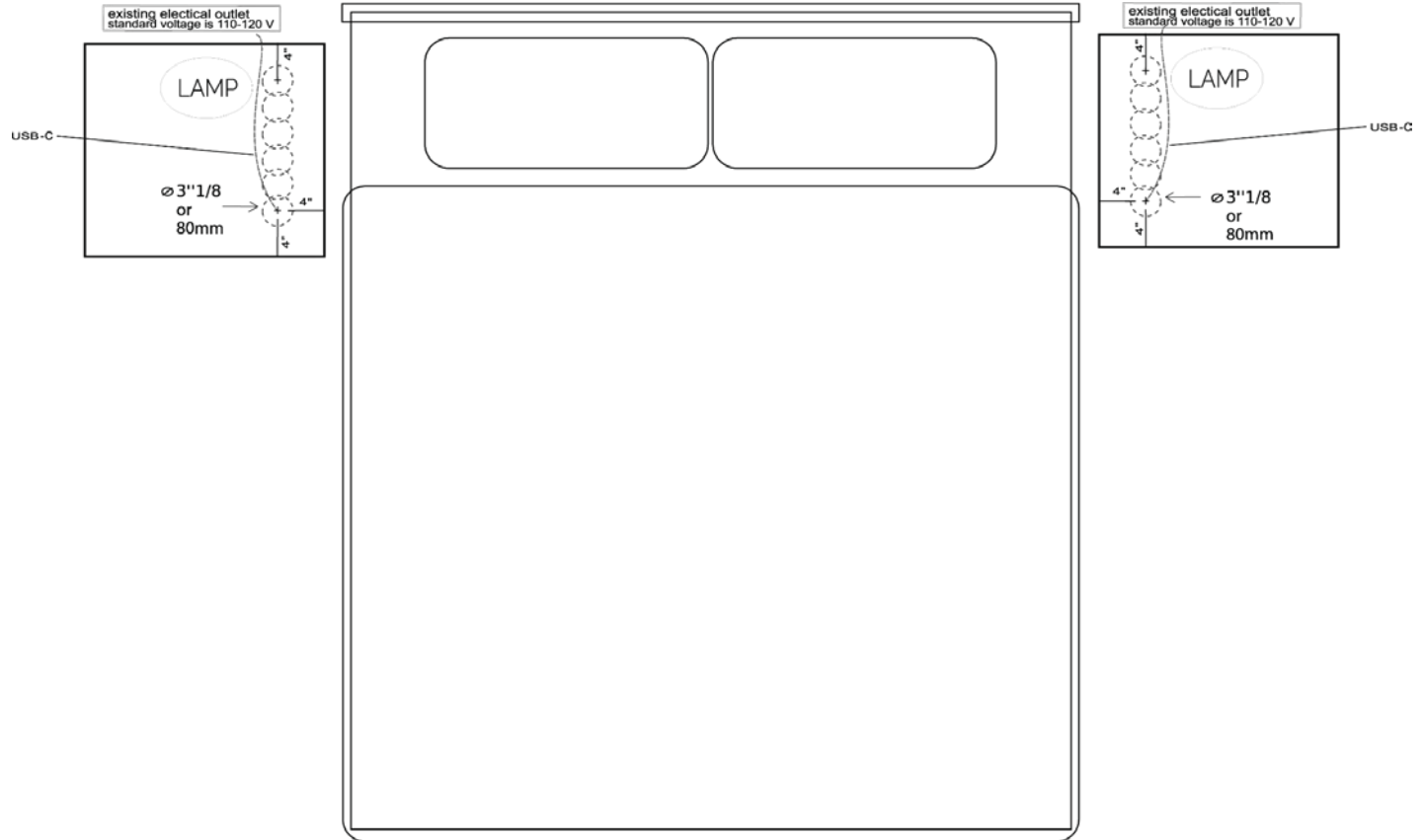
Installation recommended for restaurant - bar



Installation **not**-recommended for restaurant - bar 



Installation recommended for hotel room





Our Offices

Head Office

3700 Saint-Patrick #318

Montreal (Quebec), Canada H4E 1A2

Tel: 514-803-9524

Contact: info@moblek.com