

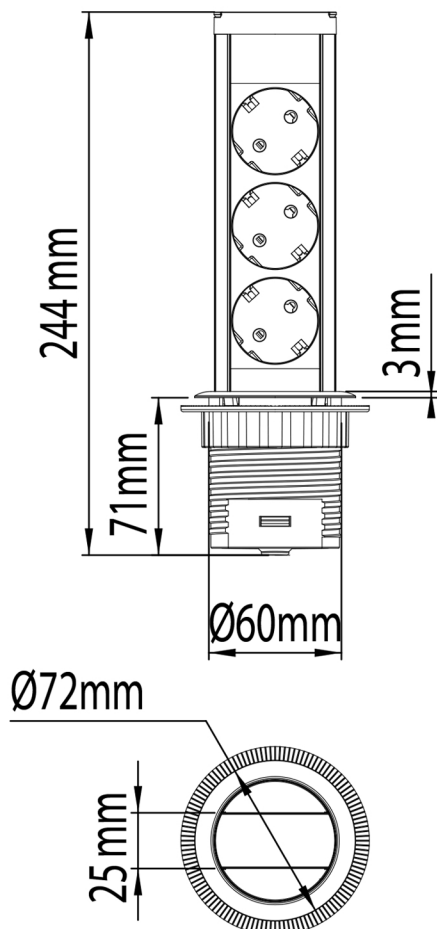


# MINI BRICK

## RETRACTABLE SOCKET

### DESCRIPTION

- Power : 230 V
- 3 sockets : 16 A
- With or without 2 USB: 5V 2A max
- Top cover and ring in metal
- Brushed chrome or matte black finish
- Aluminum profile structure
- Soft closing by hand
- Compact mounting hole Ø60mm
- Power cable : 3 x 1,5mm<sup>2</sup>, 1.5m length



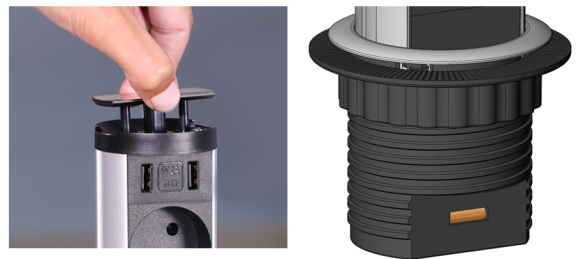
### + SOCKETS

Three 16 A, 230 V sockets to plug electrical appliances or to charge electronic products. Exists with two USB of 5V 2A max to charge smartphones or tablets.



### + SIMPLE OPENING

Pull on the top center plate. A spring keeps the center plate closed. The Mini Brick stays open thanks to a hidden clip underneath.



### + DESIGN

Compact height (244mm total) and diameter (60mm hole) with only 3mm thickness on the worktop. Brushed chrome or matte black finish.



### + SOFT CLOSING

The user should push the socket completely to close it. This avoids the product to close abruptly.

### + INSTALLATION

Simple fixing by screw in a Ø60mm hole. For worktops up to 50mm thickness.

