

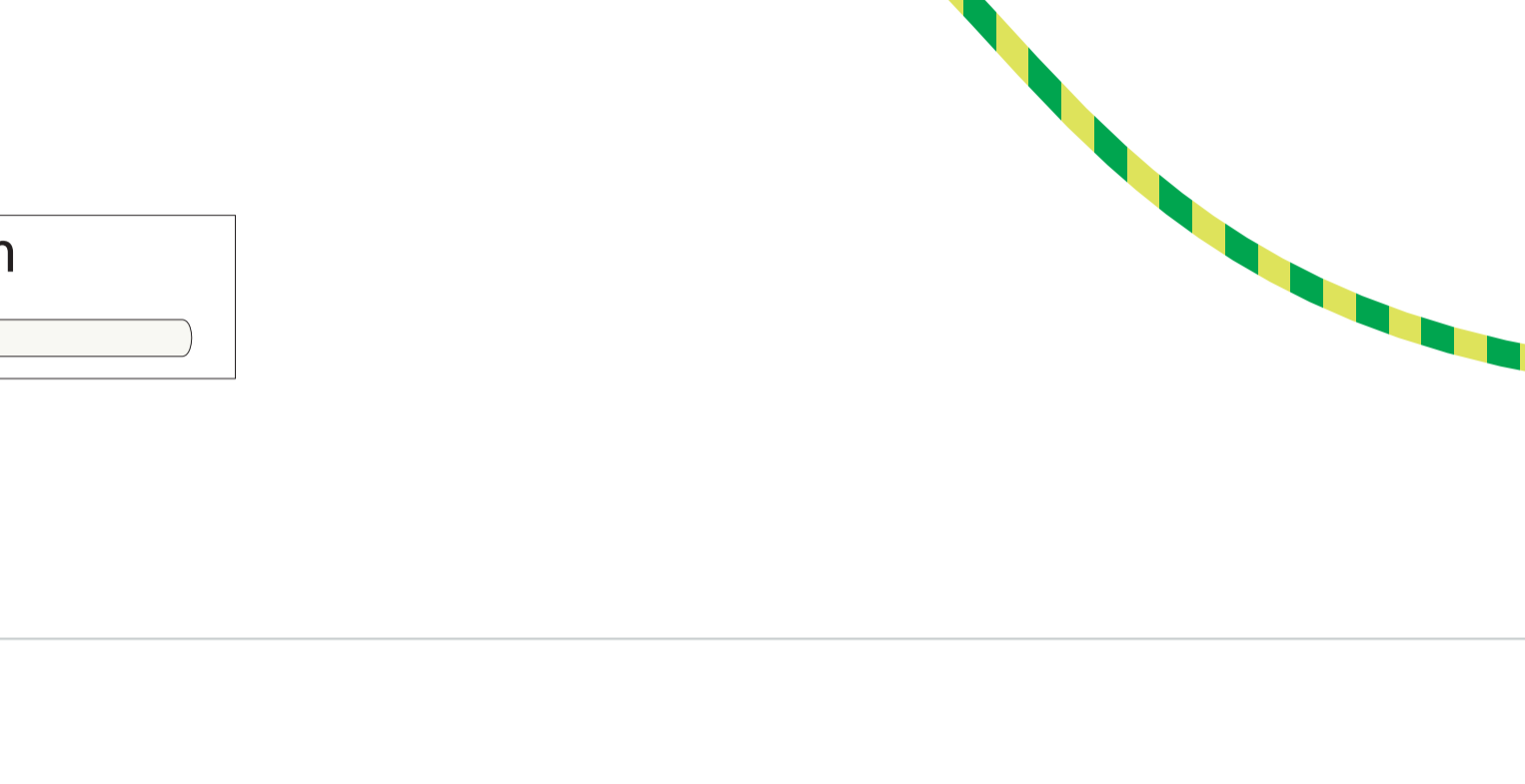
rond 3.0 socket - type F

installation instruction

1

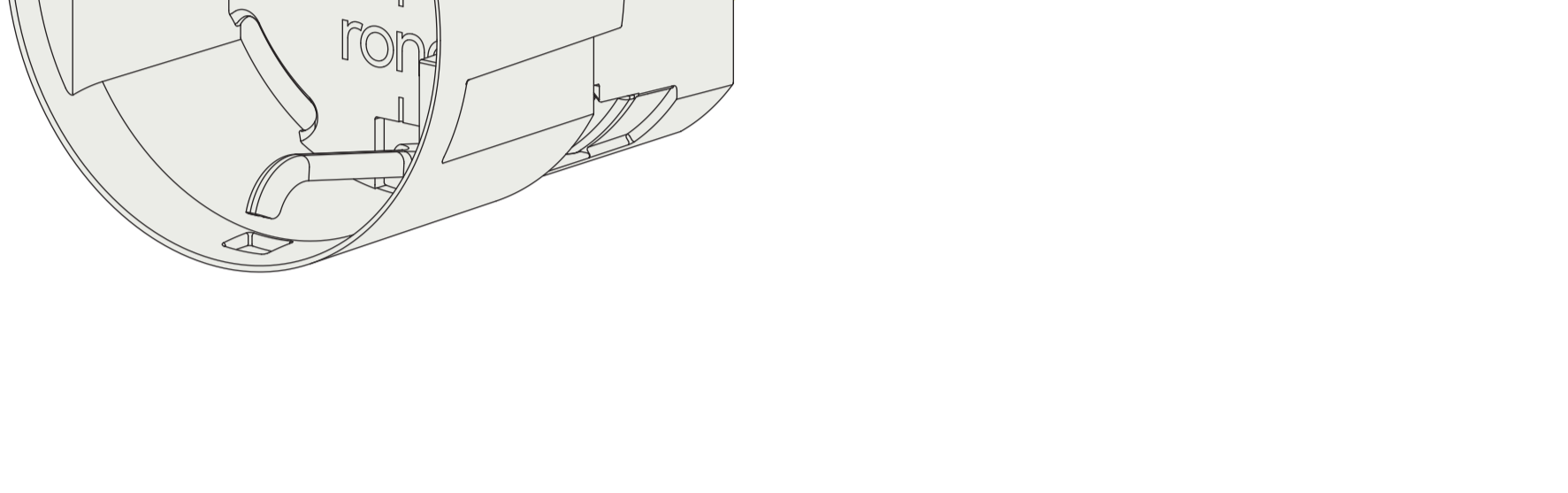


2

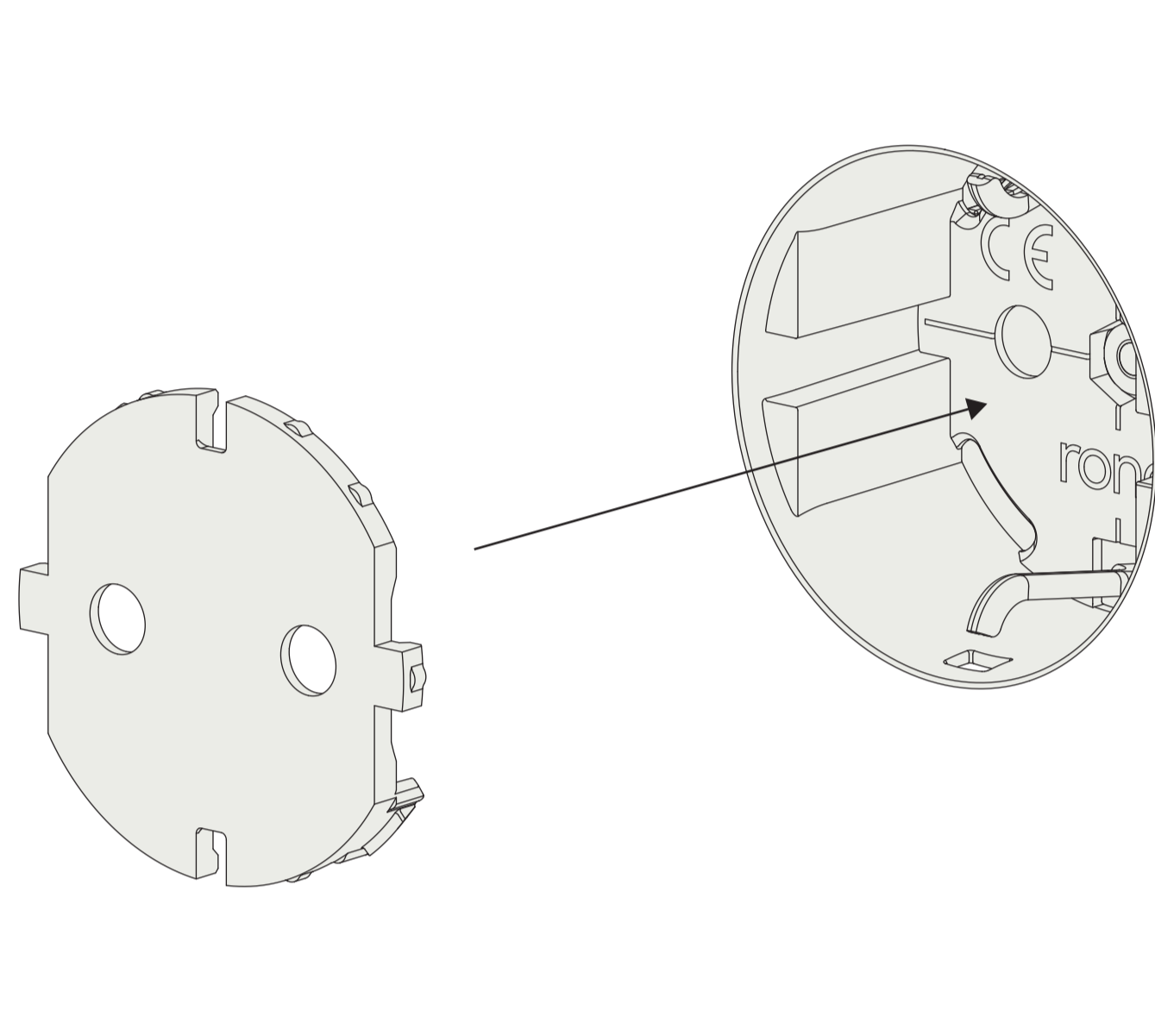


13.8 mm

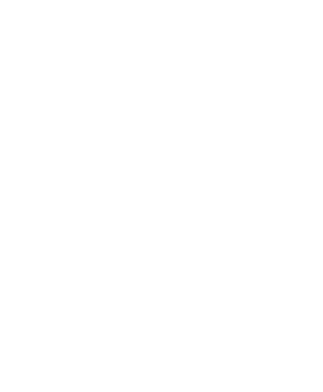
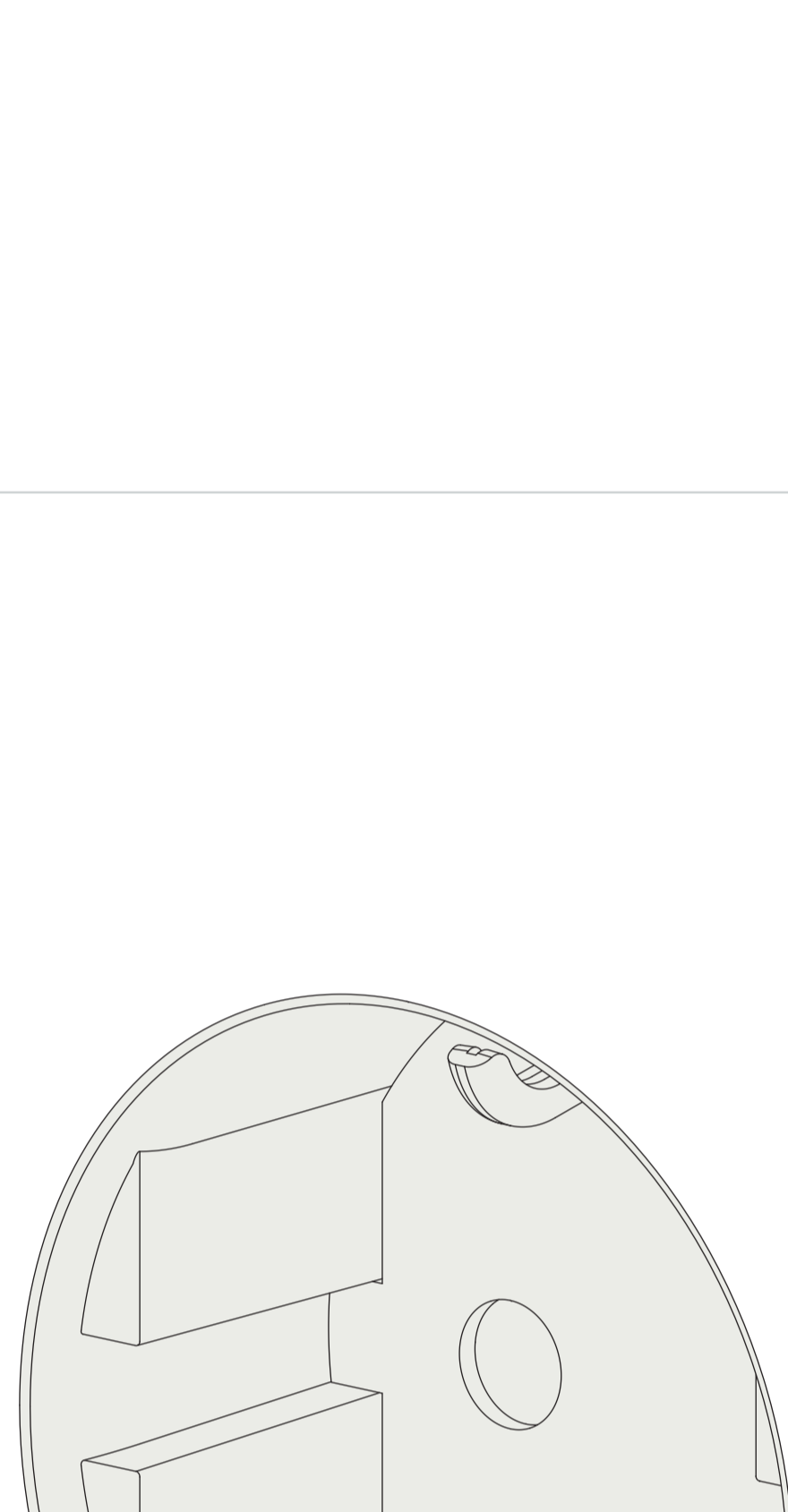
3



4

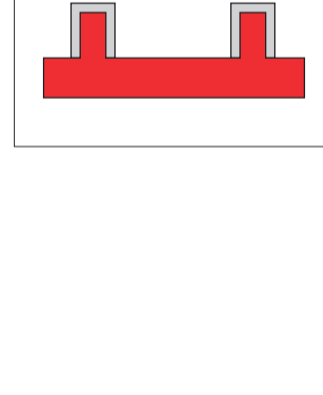
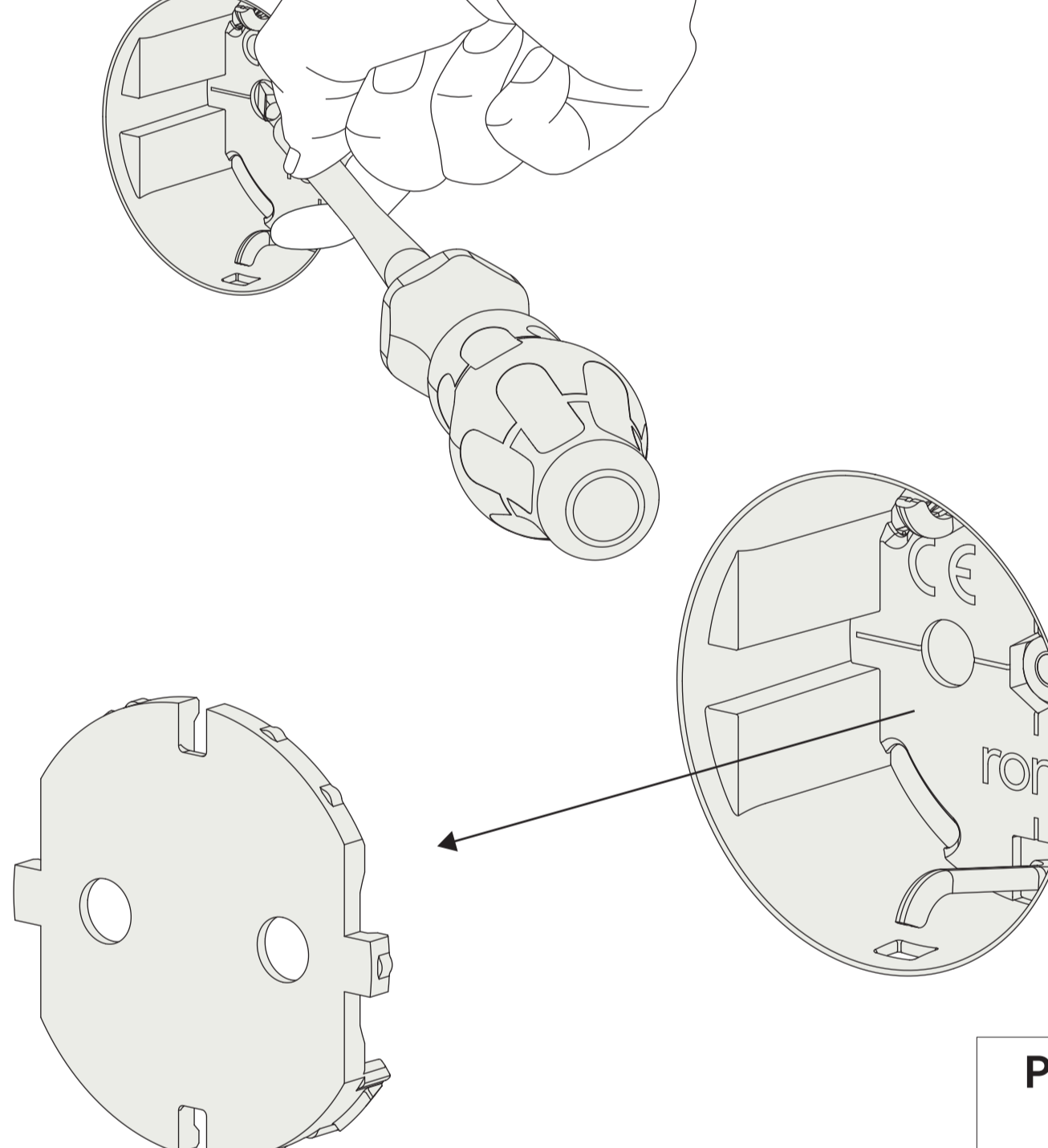


5



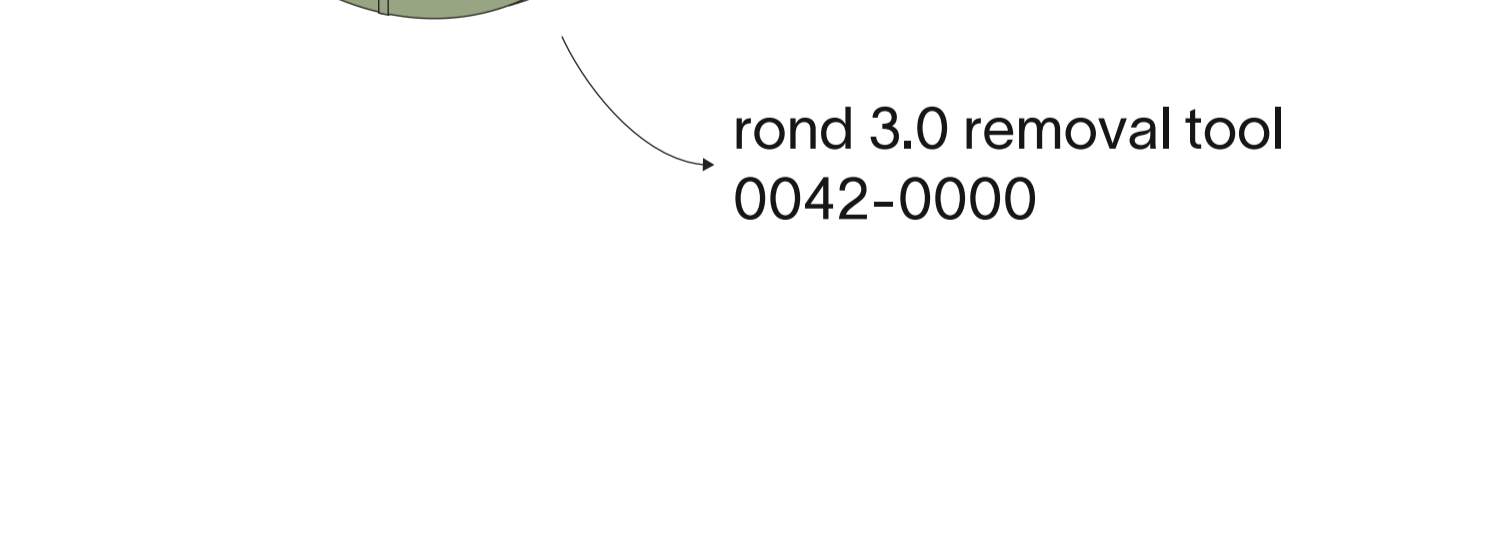
For removal

1

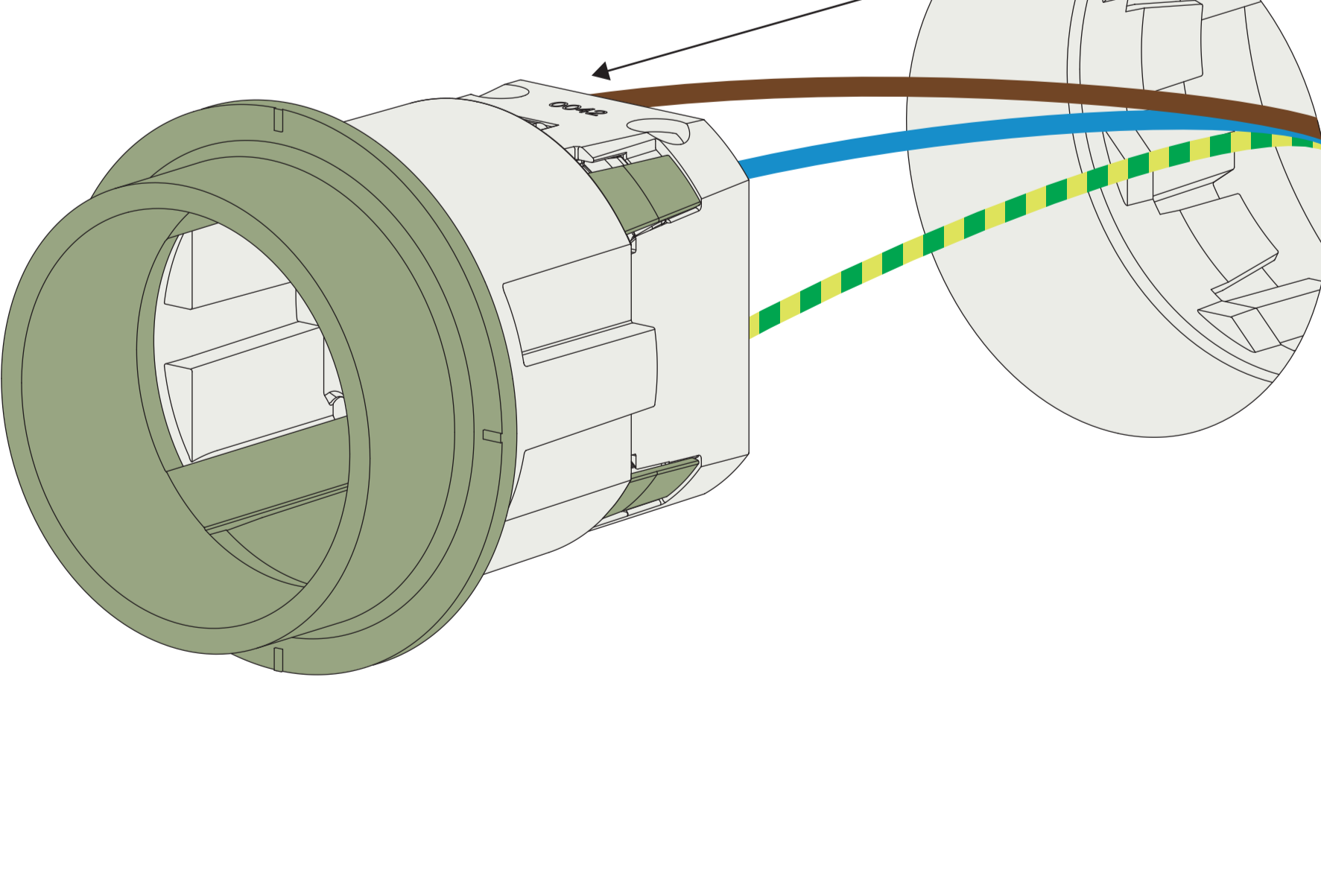


Gently remove the cover plate using a screwdriver. Place your finger between the screwdriver and the edge of the socket to prevent damaging the socket. Make sure the power is turned off before removal.

2

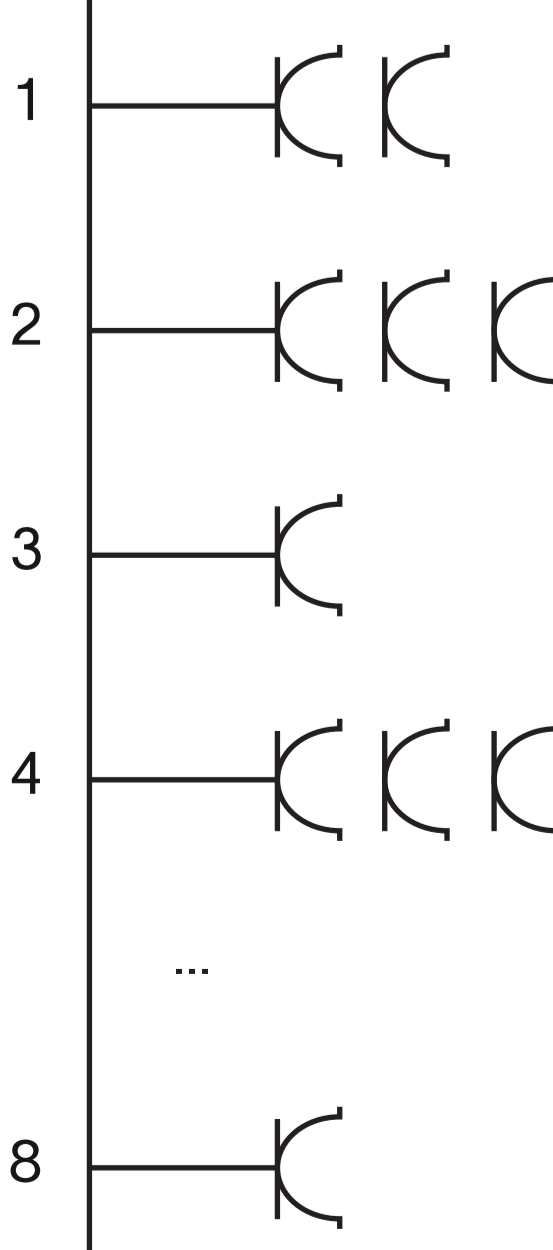


3



Socket model scheme

3kA
2p-c 20A
VOB3G2.5



Thank you for choosing rond



rond.io Shiver NV - Handelsstraat 19 - 8630 Veurne - Belgium

Installation must be done by skilled professionals only and instructions must be followed at all times. Warranty will not apply in case of wrongful use of if unskilled personnel attempts to repair a product.