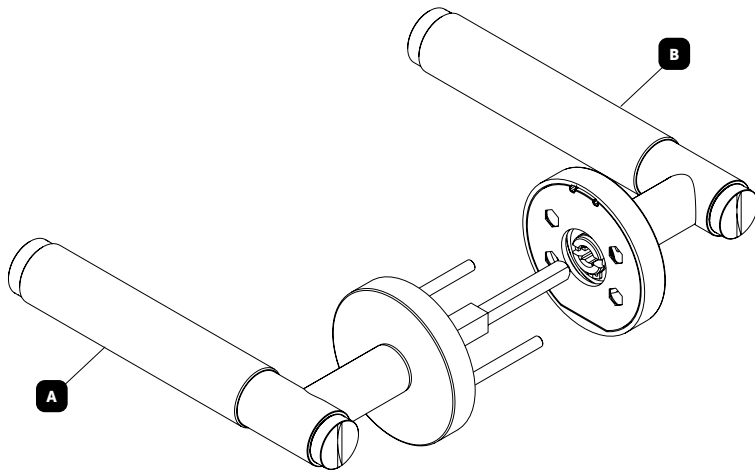


BUSTER + PUNCH

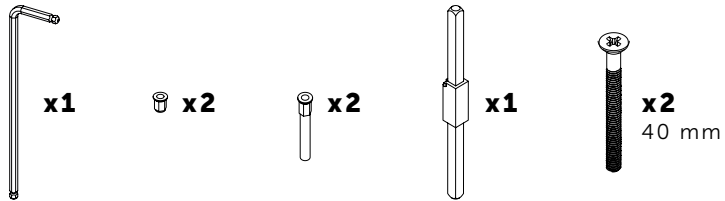
LONDON

SWE SPRUNG DOOR LEVER HANDLE / CROSS

INSTRUCTION MANUAL



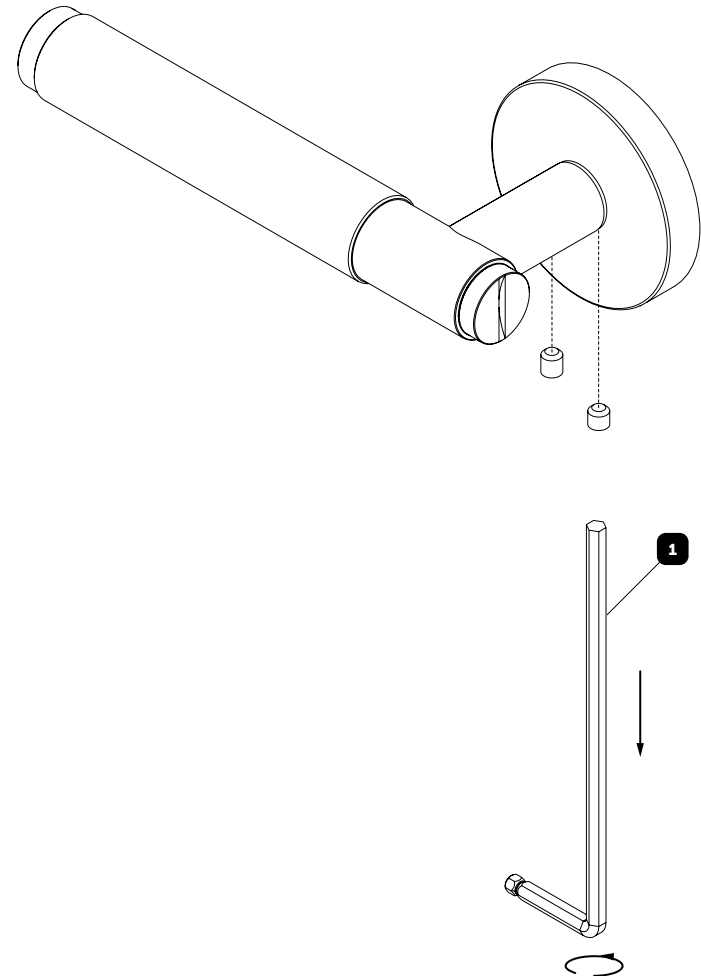
CONTENTS



NOTE: 2014 Rose also compatible with UK + ROW Tubular latches.

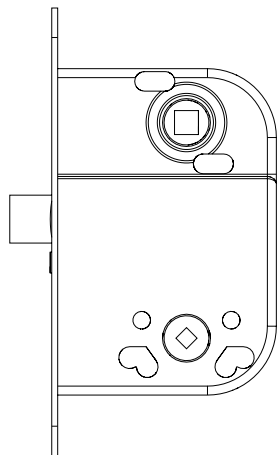
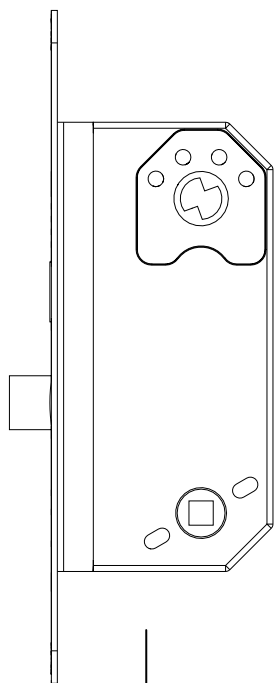
EU.BUSTERANDPUNCH.COM

1

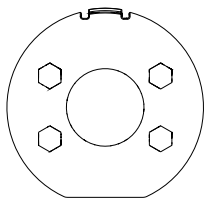


 **x2**

2

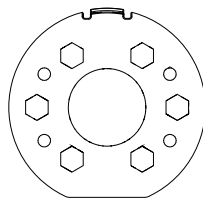


x2



ASSA ABLOY
565 SWE MORTISE

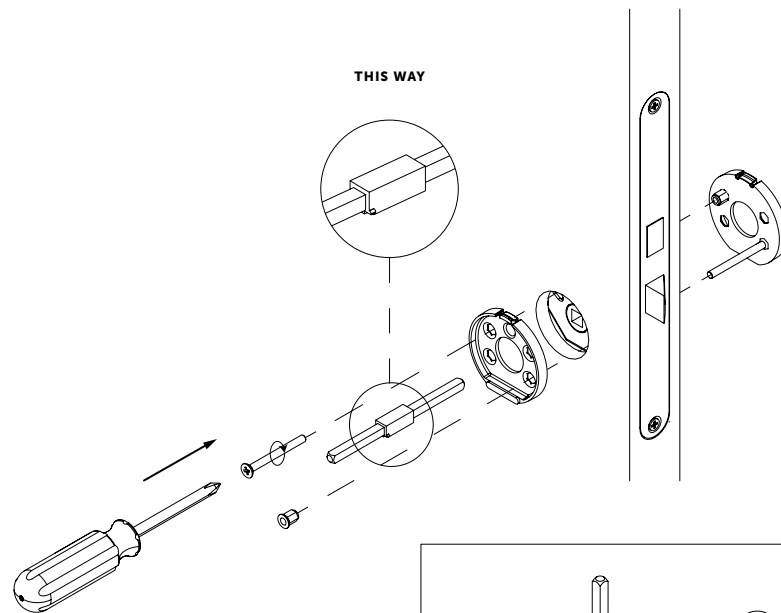
x2



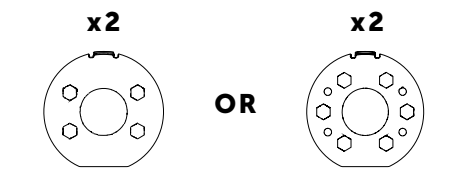
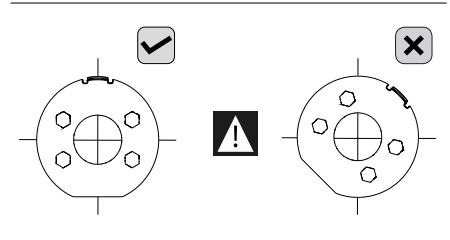
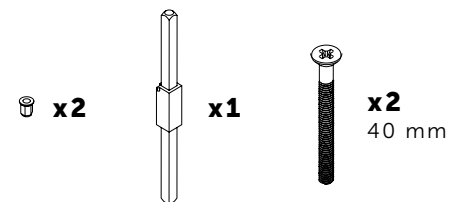
ASSA ABLOY
2014 SWE MORTISE

USE THE CORRECT ONE FOR
YOUR DOOR

3



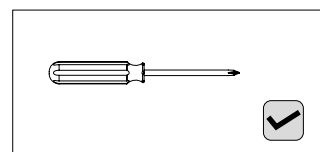
THIS WAY



ASSA ABLOY
565 MODULAR

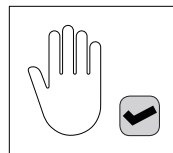
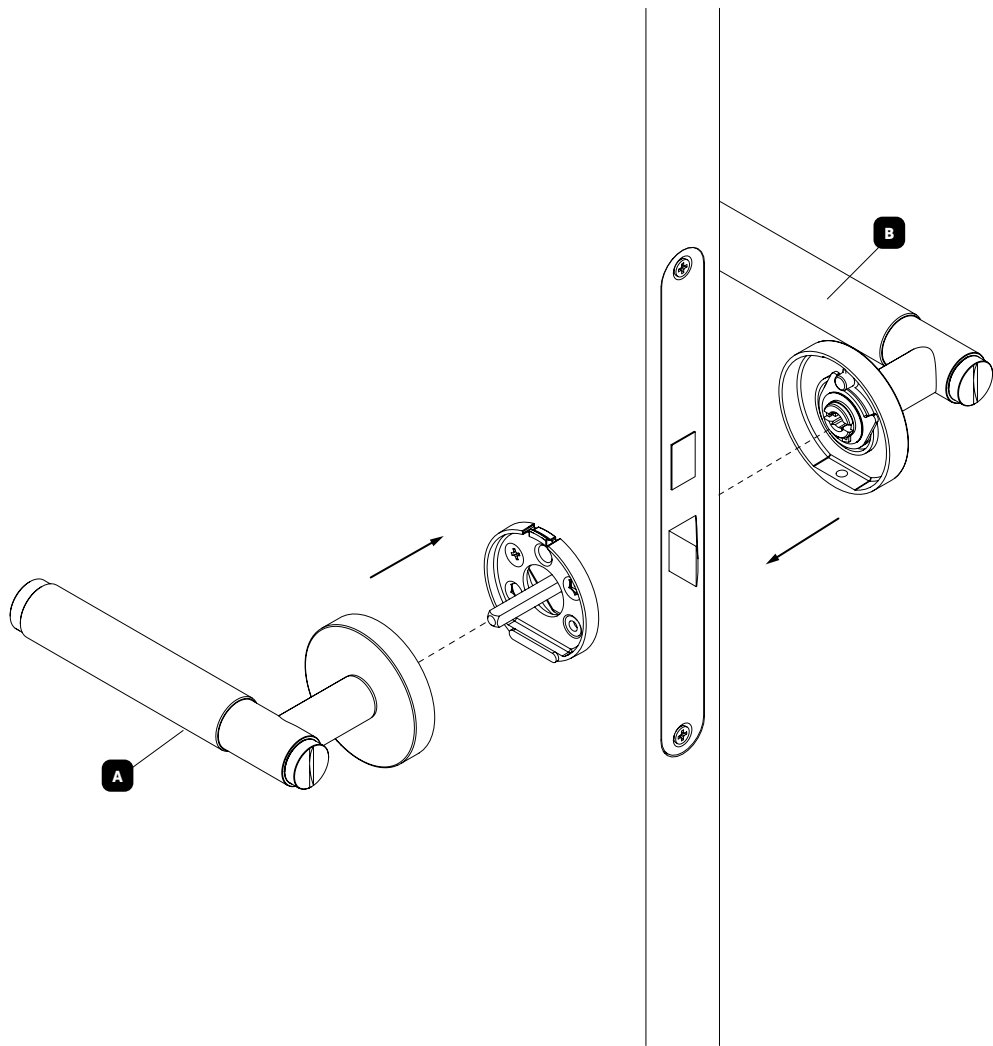
OR

ASSA ABLOY
2014 MODULAR

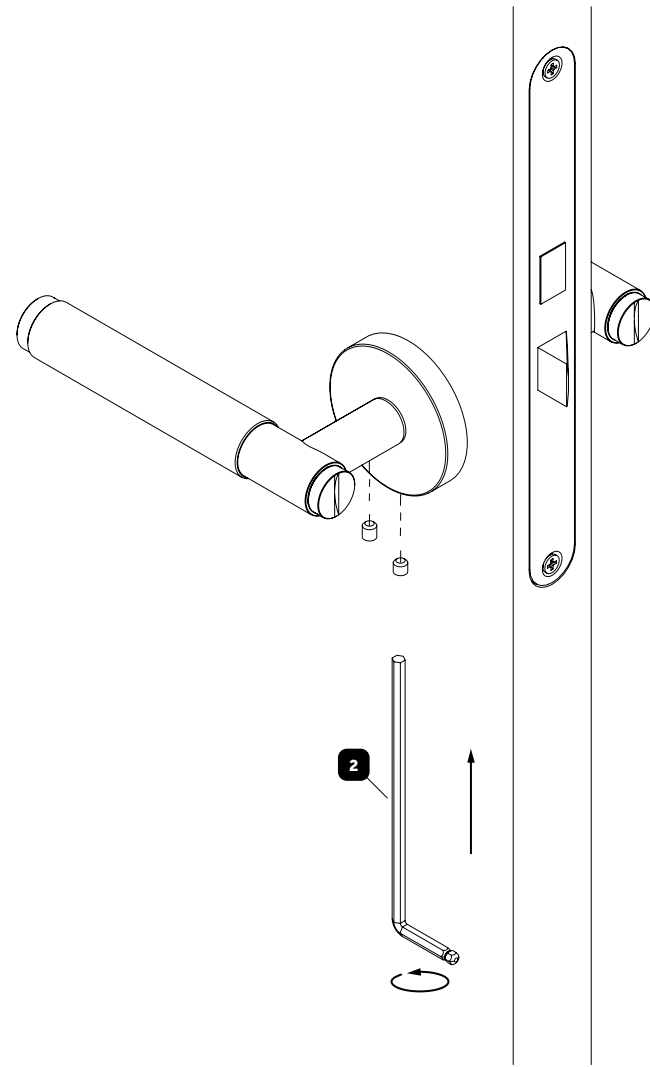


USE THE CORRECT SET FOR YOUR DOOR

4



5



 x2

