

RING

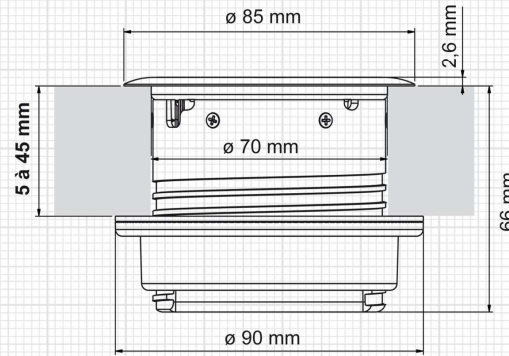
PATENTED
DESIGN



Matte black finishing

Easy installation

With soft closing system of the cover



Mounting on **horizontal** or **vertical** panels of **5 to 45 mm**

Hole dimensions : **diameter 70 mm**

Available with **Schuko or French sockets.**

USB socket 5V, 1000 mA

With power cord 3 x 1,5 mm² : 2 meter long

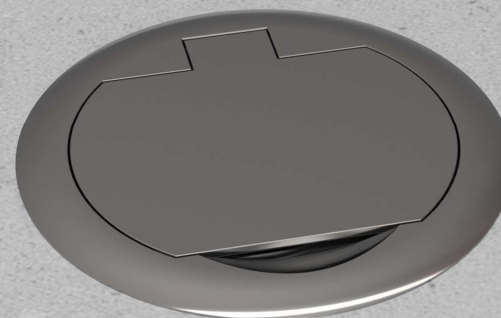
Refined aesthetics, **2,6 mm thickness**

Built-in sockets

16 A - 230 V
3680 W

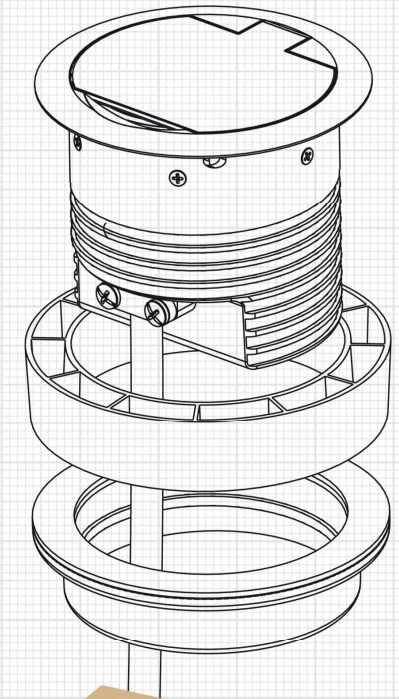


Brushed chrome finishing



Installation possible on all types of the worktop materials : **laminated, granit, quartz, concrete, composite**

SFL
concept
innovation



Individual packaging