



### Floor box

Type	Description	Item no.
AA/V2A-VIP	Stainless steel	V 1247
AA/MS-VIP	Brass	V 1226
AA/M-BR-VIP	Browned brass	V 1226-BR
AA/POM-VIP	Black POM	V 1247-POM

### Lid

Type	Description	Item no.
AA/V2AL-VIP	Stainless steel	V 1248
AA/MSL-VIP	Brass	V 1239
AA/ML-BR-VIP	Browned brass	V 1239-BR
AA/POM-L-VIP	Black POM	V 1248-POM
VIP-3mm pl	Metal lid for wood	V 1543

### Product information

Copenhagen VIP 150 is made in stainless steel, brass, browned brass or black POM.

The floor box can contain two power sockets and two data connectors, e.g. RJ45 or XLR.

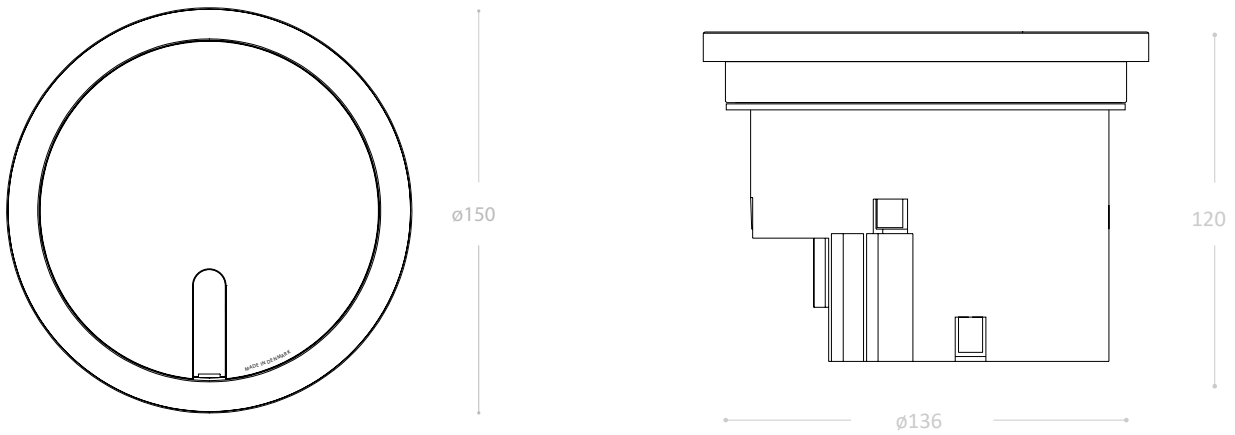
The floor box is perfect for wooden floors, where it is easy to install from above.

The floor box has an outside diameter of 150 mm and requires a depth of 120 mm.

The floor box comes with solid lid in stainless steel, brass, browned brass or black POM with a protective wire outlet in rubber.

Alternatively, the lid can be bespoke with wood, to match the rest of the floor.



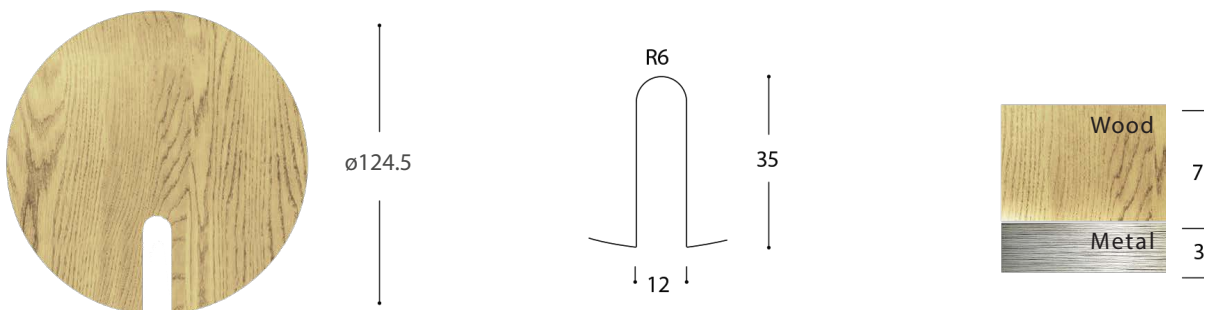


**Service information**

The Copenhagen VIP 150 floor box comes as a complete unit to lower down into the floor from above.

The 10 mm collar is to be fitted into the floor by milling a recess into the floor, to make it completely flush with the floor.

The entrance hole in the floor need to be at least 138 mm.



**Measures for the wooden lid**

Outside diameter	124.5 mm
Wood thickness	7.0 mm
Metal lid (V 1543)	3.0 mm



Stainless steel

Brass

Wooden lid

Browned brass

